

Shangdong KMR Bearing S&T Co.,Ltd

No. 001 KMR Road, Tangyuan Town, Linqing,
Liaocheng, Shandong province,China

Tel: +86 531 6669 5621; +86 635 2816 966

Email: alice@sdkmr.com; yjx@sdkmr.com

Web: www.sdkmr.com

KMR Bearing Food Line Y-bearing units



Shangdong KMR Bearing S&T Co.,Ltd

Contents

1. KMR Food Line ball bearing units.....	3	2.6 Composite SKF Food Line Y-bearing take up units stainless steel bearings, metric shafts.....	45
Product advantages.....	3	inch shafts.....	49
The choice of bearing units' designs.....	3	2.7 Stainless steel KMR Food Line Y-bearing plummer block units stainless steel bearings, metric shafts.....	53
Innovative and effective sealing system.....	3	inch shafts.....	55
Grease.....	3	2.8 Stainless steel KMR Food Line Y-bearing short base plummer block units stainless steel bearings, metric shafts.....	57
Housings of ball bearing units that made of composite materials.....	4	inch shafts.....	59
Stainless steel housings for ball bearing units.....	4	2.9 Stainless steel KMR Food Line Y-bearing square flanged units stainless steel bearings, metric shafts.....	61
Permissible speed.....	4	inch shafts.....	63
2.Product tables	5	2.10 Stainless steel KMR Food Line Y-bearing oval flanged units stainless steel bearings, metric shafts.....	65
2.1 Composite KMR Food Line Y-bearing plummer block units stainless steel bearings, metric shafts.....	5	inch shafts.....	67
inch shafts.....	9	2.11 KMR Food Line Y-bearings with grub screws, metric shafts.....	69
2.2 Composite KMR Food Line Y-bearing short base plummer block units stainless steel bearings, metric shafts.....	13	KMR Food Line Y-bearings with grub screws, inch shafts.....	71
inch shafts.....	17		
2.3 Composite KMR Food Line Y-bearing 3-bolt flange units stainless steel bearings, metric shafts.....	21		
inch shafts.....	25		
2.4 Composite KMR Food Line Y-bearing square flanged units stainless steel bearings, metric shafts.....	29		
inch shafts.....	33		
2.5 Composite KMR Food Line Y-bearing oval flanged units stainless steel bearings, metric shafts.....	37		
inch shafts.....	41		

KMR food line ball bearing units is a specially developed and produced bearing units products for the wet, high-pressure washing, abrasive and polluted environment of the food line. The innovative food line ball bearing units design helps eliminate erosion-related problems. These products help eliminate issues related to scour-related corrosion, premature bearing failure and environmental impacts. They can meet the stringent requirements of bearing units in food lines.

Product advantages

- Comprehensive range of bearing products
- Reduce downtime due to relubrication
- Improved sealing design, so that prevents contamination from foreign matter
- Food grade grease, will not have adverse effects on the environment
- KMR bearing units still has excellent corrosion resistance under all adverse working conditions
- Improved bacteria elimination due to solid or filled base design and smooth surface finish

The choice of bearing units' designs

KMR Food Line ball bearing units are available in a range of component designs. This enables the configuration of the bearing units best suited for various applications and environments. For example, various measures are used to ensure the technical requirements of ball bearing units of the food line. Such as corrosion-resistant parts, food-grade grease, high-performance seals, protective covers, composite parts, etc.

Innovative and effective sealing system

KMR food line ball bearing units adopt "-2RF" multiple seals, which effectively excludes detergent, water and other contaminants from the bearing unit and keeps lubricants inside. The radial and axial lip seals are made of special food-grade rubber compounds.

Grease

- KMR ball bearing units are filled with food-grade grease.

Relubrication

In the unusual event that estimated grease life is limiting, KMR Food Line ball bearing units can be relubricated.

KMR food line ball bearing units that made of stainless steel bearing seat, with lubrication features. The insert bearings have stainless steel set screws. If relubrication is required, the set screw can be removed and replaced with a suitable grease fitting with 1.4-28 UNF thread.

If relubrication is to be used, please ensure that the relubrication holes in the outer diameter of the insert ball bearings are aligned with the drilled holes and grooves in the housing holes.

For food line ball bearing units that not have the relubrication feature, the impact on the environment can be effectively reduced.

Housings of ball bearing units that made of composite materials

The housings of ball bearing units that made of composite materials have the significant advantages of being strong, lightweight and resistant to chemical corrosion. This bearing housing is resistant to citric acid, cooking fats and most food and beverage processing chemicals. And they're much lighter than cast iron housing.

Stainless steel housings for ball bearing units

Stainless steel housings for ball bearing units offer exceptional strength and toughness for challenging food and beverage applications requiring maximum durability and chemical resistance. They can withstand very high impact loads, provide better safety, corrosion resistance and better surface finish.

Permissible speed

KMR Food Line insert bearings and KMR Food Line ball bearing units should not operate at speeds above the limiting speeds listed in the product tables .

2.1 Composite KMR Food Line Y-bearing plummer block units stainless steel bearings, metric shafts d 20 – 50 mm



Designation	Separate components		Dimensions												
			d	A ₁	A ₂	B	H	H ₁	H ₂	J	L	N	N ₁	G	S ₁
-	Housing	Bearing	mm												
SYWK20YTH	SYWK504Y	YAR204-2RF/HV	20	32	21	31	64	33.3	16	96	126	17.6	12.1	10	18.3
SYWK25YTH	SYWK505Y	YAR205-2RF/HV	25	32	22	34.1	70.5	36.5	16	105	134	17.6	12.1	10	19.8
SYWK30YTH	SYWK506Y	YAR206-2RF/HV	30	40	25	38.1	82	42.9	19	121	159	21.4	14.4	12	22.2
SYWK35YTH	SYWK507Y	YAR207-2RF/HV	35	45	27	42.9	93	47.6	19	126	164	21.4	14.4	12	25.4
SYWK40YTH	SYWK508Y	YAR208-2RF/HV	40	48	30	49.2	99	49.2	19	136	176	21.4	14.4	12	30.2
SYWK50LTHR	SYWK510L	YAR210-2RFGR/HV	50	60	37	51.6	114	57.2	23	159	206	20	17	16	32.6

Designation	Separate components		Basic load ratings		Fatigue load limit	Limiting speed with shaft tolerance	Mass Bearing unit	Appropriate cover	
			dynamic	static				Designation	Dimension
-	Housing	Bearing	C	C ₀	P _u	h6	kg	-	mm
			kN		kN	r/min			
SYWK20YTH	SYWK504Y	YAR204-2RF/HV	10.85	6.58	0.28	5000	0.24	ECW204	26.3
SYWK25YTH	SYWK505Y	YAR205-2RF/HV	11.96	7.84	0.34	4300	0.29	ECW205	26.3
SYWK30YTH	SYWK506Y	YAR206-2RF/HV	16.38	11.26	0.48	3800	0.49	ECW206	31
SYWK35YTH	SYWK507Y	YAR207-2RF/HV	21.71	15.38	0.66	3200	0.66	ECW207	32.5
SYWK40YTH	SYWK508Y	YAR208-2RF/HV	26.13	19.10	0.80	2800	0.86	ECW208	33.5
SYWK50LTHR	SYWK510L	YAR210-2RFGR/HV	29.75	23.32	0.98	2200	1.3	ECL210	42.4

2.1 Composite KMR Food Line Y-bearing plummer block units zinc coated bearings, metric shafts d 20 – 50 mm



Designation	Separate components		Dimensions												
			d	A ₁	A ₂	B	H	H ₁	H ₂	J	L	N	N ₁	G	S ₁
-	Housing	Bearing	mm												
SYWK20YTA	SYWK504Y	YAR204-2RF/VE495	20	32	21	31	64	33.3	16	96	126	17.6	12.1	10	18.3
SYWK25YTA	SYWK505Y	YAR205-2RF/VE495	25	32	22	34.1	70.5	36.5	16	105	134	17.6	12.1	10	19.8
SYWK30YTA	SYWK506Y	YAR206-2RF/VE495	30	40	25	38.1	82	42.9	19	121	159	21.4	14.4	12	22.2
SYWK35YTA	SYWK507Y	YAR207-2RF/VE495	35	45	27	42.9	93	47.6	19	126	164	21.4	14.4	12	25.4
SYWK40YTA	SYWK508Y	YAR208-2RF/VE495	40	48	30	49.2	99	49.2	19	136	176	21.4	14.4	12	30.2
SYWK50LTA	SYWK510L	YAR210-2RF/VE495	50	60	37	51.6	114	57.2	23	159	206	20	17	16	32.6

Designation	Separate components		Basic load ratings		Fatigue load limit	Limiting speed with shaft tolerance	Mass Bearing unit	Appropriate cover	
			dynamic	static				Designation	Dimension
-	Housing	Bearing	C	C ₀	P _u	h6	kg	-	mm
			kN		kN	r/min			
SYWK20YTA	SYWK504Y	YAR204-2RF/VE495	12.16	10.05	18.39	5000	0.24	ECW204	26.3
SYWK25YTA	SYWK505Y	YAR205-2RF/VE495	12.16	10.05	19.90	4300	0.29	ECW205	26.3
SYWK30YTA	SYWK506Y	YAR206-2RF/VE495	14.47	12.06	22.31	3800	0.49	ECW206	31
SYWK35YTA	SYWK507Y	YAR207-2RF/VE495	14.47	12.06	25.53	3200	0.66	ECW207	32.5
SYWK40YTA	SYWK508Y	YAR208-2RF/VE495	14.47	12.06	30.35	2800	0.86	ECW208	33.5
SYWK50LTA	SYWK510L	YAR210-2RF/VE495	17.09	16.08	32.76	2200	1.3	ECL210	42.4

2.1 Composite KMR Food Line Y-bearing plummer block units stainless steel bearings, inch shafts d 3/4 – 1 15/16 in . 19,05 – 49,213 mm



Designation	Separate components		Dimensions												
			d	A ₁	A ₂	B	H	H ₁	H ₂	J	L	N	N ₁	G	S ₁
-	Housing	Bearing	in./mm												
SYWK3/4YTH	SYWK504Y	YAR204-012-2RF/HV	3/4	1.26	0.83	1.22	2.52	1.31	0.63	3.77	4.96	0.69	0.48	3/8	0.72
			19.05	32	21	31	64	33.3	16	96	126	17.4	12.1	10	18.3
SYWK1.YTH	SYWK505Y	YAR205-100-2RF/HV	1	1.26	0.86	1.34	2.77	1.43	0.63	4.13	5.27	0.69	0.48	3/8	0.78
			25.4	32	22	34.1	70.5	36.5	16	105	134	17.4	12.1	10	19.8
SYWK1.3/16YTH	SYWK506Y	YAR206-103-2RF/HV	1 3/16	1.57	0.98	1.5	3.22	1.69	0.75	4.76	6.25	0.84	0.57	1/2	0.87
			30,163	40	25	38.1	82	42.9	19	121	159	21.4	14.4	12	22.2
SYWK1.1/4AYTH	SYWK506Y	YAR206-104-2RF/HV	1 1/4	1.57	0.98	1.5	3.22	1.69	0.75	4.76	6.25	0.84	0.57	1/2	0.87
			31.75	40	25	38.1	82	42.9	19	121	159	21.4	14.4	12	22.2
SYWK1.1/4YTH	SYWK507Y	YAR207-104-2RF/HV	1 1/4	1.77	1.06	1.69	3.66	1.87	0.75	4.96	6.45	0.84	0.57	1/2	1
			31.75	45	27	42.9	93	47.6	19	126	164	21.4	14.4	12	25.4
SYWK1.3/8YTH	SYWK507Y	YAR207-106-2RF/HV	1 3/8	1.77	1.06	1.69	3.66	1.87	0.75	4.96	6.45	0.84	0.57	1/2	1
			34,925	45	27	42.9	93	47.6	19	126	164	21.4	14.4	12	25.4
SYWK1.7/16YTH	SYWK507Y	YAR207-107-2RF/HV	1 7/16	1.77	1.06	1.69	3.66	1.87	0.75	4.96	6.45	0.84	0.57	1/2	1
			36,513	45	27	42.9	93	47.6	19	126	164	21.4	14.4	12	25.4
SYWK1.1/2YTH	SYWK508Y	YAR208-108-2RF/HV	1 1/2	1.89	1.18	1.93	3.89	1.93	0.75	5.35	6.92	0.84	0.57	1/2	1.19
			38.1	48	30	49.2	99	49.2	19	136	176	21.4	14.4	12	30.2
SYWK1.15/16LTHR	SYWK510L	YAR210-115-2RFGR/HV	1 15/16	2.36	1.46	2.03	4.49	2.25	0.9	6.26	8.11	0.79	0.67	5/8	1.28
			49,213	60	37	51.6	114	57.2	23	159	206	20	17	16	32.6

Designation	Separate components		Basic load ratings		Fatigue load limit	Limiting speed with shaft tolerance	Mass Bearing unit	Appropriate cover	
			dynamic	static				Designation	Dimension
-	Housing	Bearing	C	C ₀	P _u	h6		A5	
			lbf/kN		lbf/kN	r/min	lb/kg	-	in./mm
SYWK3/4YTH	SYWK504Y	YAR204-012-2RF/HV	2442.15	1477.35	60.3	5100	0.53	ECW204	1.03
			10.8	6.55	0.28		0.24		26.3
SYWK1.YTH	SYWK505Y	YAR205-100-2RF/HV	2693.4	1768.8	80.4	4400	0.62	ECW205	1.03
			11.9	7.8	0.335		0.28		26.3
SYWK1.3/16YTH	SYWK506Y	YAR206-103-2RF/HV	3688.35	2532.6	110.55	3900	1.04	ECW206	1.2
			16.3	11.2	0.475		0.28		31
SYWK1.1/4AYTH	SYWK506Y	YAR206-104-2RF/HV	3688.35	2532.6	110.55	3900	1.04	ECW206	1.2
			16.3	11.2	0.475		0.47		31
SYWK1.1/4YTH	SYWK507Y	YAR207-104-2RF/HV	4884.3	3457.2	150.75	3300	1.57	ECW207	1.28
			21.6	15.3	0.655		0.71		32.5
SYWK1.3/8YTH	SYWK507Y	YAR207-106-2RF/HV	4884.3	3457.2	150.75	3300	1.44	ECW207	1.28
			21.6	15.3	0.655		0.65		32.5
SYWK1.7/16YTH	SYWK507Y	YAR207-107-2RF/HV	4884.3	3457.2	150.75	3300	1.37	ECW207	1.28
			21.6	15.3	0.655		0.62		32.5
SYWK1.1/2YTH	SYWK508Y	YAR208-108-2RF/HV	5874.225	4301.4	180.9	2900	1.98	ECW208	1.31
			26	19	0.8		0.9		33.5
SYWK1.15/16LTHR	SYWK510L	YAR210-115-2RFGR/HV	6687.27	5246.1	221.1	2300	2.86	ECL210	1.67
			29.6	23.2	0.98		1.3		42.4

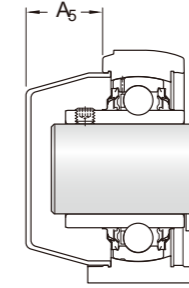
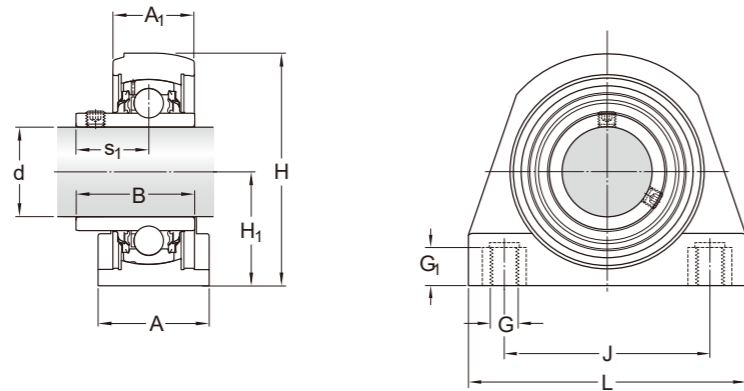
2.1 Composite KMR Food Line Y-bearing plummer block units zinc coated bearings, inch shafts d 3/4 – 1 15/16 in .19,05 – 49,213 mm



Designation	Separate components		Dimensions												
			d	A ₁	A ₂	B	H	H ₁	H ₂	J	L	N	N ₁	G	S ₁
Bearing unit	Housing	Bearing	in./mm												
SYWK3/4YTA	SYWK504Y	YAR204-012-2RF/VE495	3/4	1.26	0.83	1.22	2.52	1.31	0.63	3.78	4.95	0.69	0.48	3/8	0.72
			19.05	32	21	31	64	33.3	16	96	126	17.4	12.1	10	18.3
SYWK15/16YTA	SYWK505Y	YAR205-015-2RF/VE495	15/16	1.26	0.86	1.34	2.77	1.43	0.63	4.13	5.27	0.69	0.48	3/8	0.78
			23,813	32	22	34.1	70.5	36.5	16	105	134	17.4	12.1	10	19.8
SYWK1.YTA	SYWK505Y	YAR205-100-2RF/VE495	1	1.26	0.86	1.34	2.77	1.43	0.63	4.13	5.27	0.69	0.48	3/8	0.78
			25.4	32	22	34.1	70.5	36.5	16	105	134	17.4	12.1	10	19.8
SYWK1.3/16YTA	SYWK506Y	YAR206-103-2RF/VE495	1 3/16	1.57	0.98	1.5	3.22	1.69	0.75	4.76	6.25	0.84	0.57	1/2	0.87
			30,163	40	25	38.1	82	42.9	19	121	159	21.4	14.4	12	22.2
SYWK1.1/4AYTA	SYWK506Y	YAR206-104-2RF/VE495	1 1/4	1.57	0.98	1.5	3.22	1.69	0.75	4.76	6.25	0.84	0.57	1/2	0.87
			31.75	40	25	38.1	82	42.9	19	121	159	21.4	14.4	12	22.2
SYWK1.1/4YTA	SYWK507Y	YAR207-104-2RF/VE495	1 1/4	1.77	1.06	1.69	3.65	1.87	0.75	4.96	6.45	0.84	0.57	1/2	1
			31.75	45	27	42.9	93	47.6	19	126	164	21.4	14.4	12	25.4
SYWK1.3/8YTA	SYWK507Y	YAR207-106-2RF/VE495	1 3/8	1.77	1.06	1.69	3.65	1.87	0.75	4.96	6.45	0.84	0.57	1/2	1
			34,925	45	27	42.9	93	47.6	19	126	164	21.4	14.4	12	25.4
SYWK1.7/16YTA	SYWK507Y	YAR207-107-2RF/VE495	1 7/16	1.77	1.06	1.69	3.65	1.87	0.75	4.96	6.45	0.84	0.57	1/2	1
			36,513	45	27	42.9	93	47.6	19	126	164	21.4	14.4	12	25.4
SYWK1.1/2YTA	SYWK508Y	YAR208-108-2RF/VE495	1 1/2	1.89	1.18	1.93	3.89	1.93	0.75	5.35	6.92	0.84	0.57	1/2	1.19
			38.1	48	30	49.2	99	49.2	19	136	176	21.4	14.4	12	30.2
SYWK1.15/16LTA	SYWK510L	YAR210-115-2RF/VE495	1 15/16	2.36	1.46	2	4.49	2.25	0.9	6.26	8.11	0.79	0.67	5/8	1.28
			49,213	60	37	51.6	114	57.2	23	159	206	20	17	16	32.6

Designation	Separate components		Basic load ratings		Fatigue load limit	Limiting speed with shaft tolerance	Mass Bearing unit	Appropriate cover	
			dynamic	static				Designation	Dimension
Bearing unit	Housing	Bearing	C	C ₀	P _u	h6			
			lb/kN		lb/kN	r/min	lb/kg	-	in./mm
SYWK3/4YTA	SYWK504Y	YAR204-012-2RF/VE495	2874.3	1477.35	60.3	5100	0.53	ECW204	1.03
			12.7	6.55	0.28		0.24		26.3
SYWK15/16YTA	SYWK505Y	YAR205-015-2RF/VE495	3169.77	1768.8	80.4	4400	0.62	ECW205	1.03
			14	7.8	0.335		0.28		26.3
SYWK1.YTA	SYWK505Y	YAR205-100-2RF/VE495	3169.77	1768.8	80.4	4400	0.62	ECW205	1.03
			14	7.8	0.335		0.28		26.3
SYWK1.3/16YTA	SYWK506Y	YAR206-103-2RF/VE495	4411.95	2532.6	110.55	3900	1.04	ECW206	1.22
			19.5	11.2	0.475		0.28		31
SYWK1.1/4AYTA	SYWK506Y	YAR206-104-2RF/VE495	4411.95	2532.6	110.55	3900	1.04	ECW206	1.22
			19.5	11.2	0.475		0.47		31
SYWK1.1/4YTA	SYWK507Y	YAR207-104-2RF/VE495	5768.7	3457.2	150.75	3300	1.57	ECW207	1.26
			25.5	15.3	0.655		0.71		32
SYWK1.3/8YTA	SYWK507Y	YAR207-106-2RF/VE495	5768.7	3457.2	150.75	3300	1.44	ECW207	1.27
			25.5	15.3	0.655		0.65		32.5
SYWK1.7/16YTA	SYWK507Y	YAR207-107-2RF/VE495	3457.2	3457.2	150.75	3300	1.37	ECW207	1.27
			25.5	15.3	0.655		0.62		32.5
SYWK1.1/2YTA	SYWK508Y	YAR208-108-2RF/VE495	6944.55	4301.4	180.9	2900	1.98	ECW208	1.31
			30.7	19	0.8		0.9		33.5
SYWK1.15/16LTA	SYWK510L	YAR210-115-2RF/VE495	7939.5	5246.1	221.1	2300	2.86	ECL210	1.67
			35.1	23.2	0.98		1.3		42.4

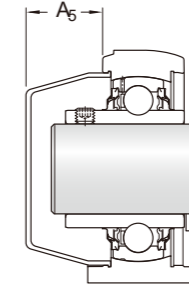
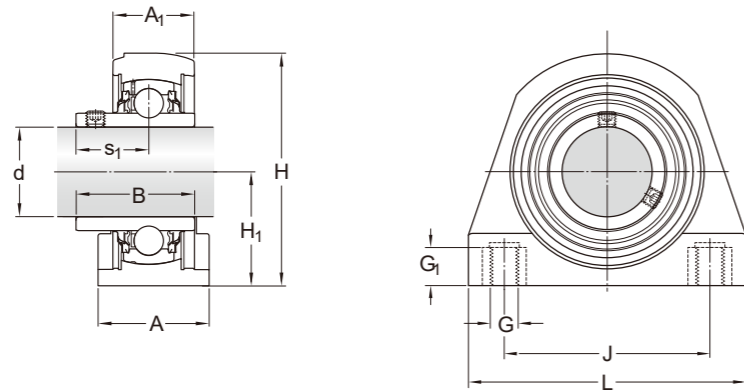
2.2 Composite KMR Food Line Y-bearing short base plummer block units stainless steel bearings, metric shafts d 20 – 50 mm



Designation	Separate components		Dimensions										
			d	A	A ₁	B	H	H ₁	J	L	G	G ₁	S ₁
-	Housing	Bearing	mm										
SYFWK20LTHR	SYFWK504L	YAR204-2RFGR/HV	20	34.5	23.8	31	66	33.3	50.8	72.8	M8	12	18.3
SYFWK25LTHR	SYFWK505L	YAR205-2RFGR/HV	25	39.5	25.4	34.1	73.5	36.5	50.8	76.2	M10	12	19.8
SYFWK30LTHR	SYFWK506L	YAR206-2RFGR/HV	30	42.5	28	38.1	84	42.9	76.2	101	M10	12	22.2
SYFWK35LTHR	SYFWK507L	YAR207-2RFGR/HV	35	47.5	32.5	42.9	95	47.6	82.6	110	M10	12	25.4
SYFWK40LTHR	SYFWK508L	YAR208-2RFGR/HV	40	48	35	49.2	100.5	49.2	88.9	120	M12	16	30.2
SYFWK50LTHR	SYFWK510L	YAR210-2RFGR/HV	50	54	37.5	51.6	115	57.2	101.6	135	M16	23.5	32.6

Designation	Separate components		Basic load ratings		Fatigue load limit	Limiting speed with shaft tolerance	Mass Bearing unit	Appropriate cover	
			dynamic	static				Designation	Dimension
-	Housing	Bearing	C	C ₀	P _u	h ₆	-	A5	
			kN		kN	r/min	kg	mm	
SYFWK20LTHR	SYFWK504L	YAR204-2RFGR/HV	10.85	6.58	0.28	5100	0.26	ECL204 20.3	
SYFWK25LTHR	SYFWK505L	YAR205-2RFGR/HV	11.96	7.84	0.34	4400	0.33	ECL205 22	
SYFWK30LTHR	SYFWK506L	YAR206-2RFGR/HV	16.38	11.26	0.48	3900	0.5	ECL206 27	
SYFWK35LTHR	SYFWK507L	YAR207-2RFGR/HV	21.71	15.38	0.66	3300	0.69	ECL207 28.8	
SYFWK40LTHR	SYFWK508L	YAR208-2RFGR/HV	26.13	19.10	0.80	2900	0.86	ECL208 33.5	
SYFWK50LTHR	SYFWK510L	YAR210-2RFGR/HV	29.75	23.32	0.98	2300	1.25	ECL210 42.4	

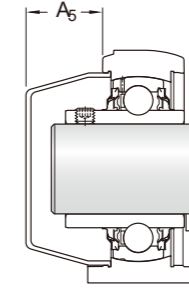
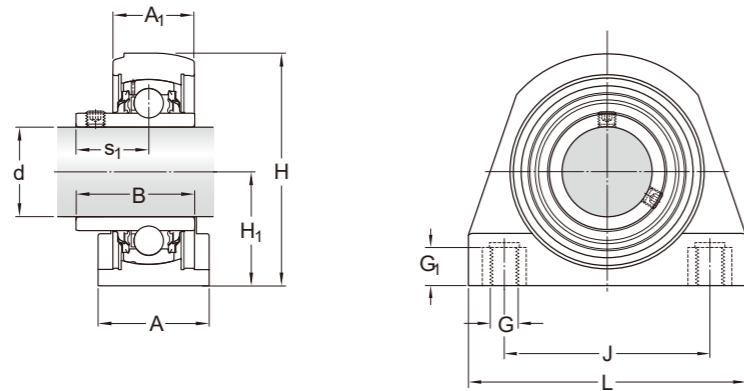
2.2 Composite KMR Food Line Y-bearing short base plummer block units zinc coated bearings, metric shafts d 20 – 50 mm



Designation	Separate components		Dimensions										
			d	A	A ₁	B	H	H ₁	J	L	G	G ₁	S ₁
Bearing unit	Housing	Bearing	mm										
-	-	-	20	34.5	23.8	31	66	33.3	50.8	72.8	M8	12	18.3
SYFWK20LTA	SYFWK504L	YAR204-2RF/VE495	20	34.5	23.8	31	66	33.3	50.8	72.8	M8	12	18.3
SYFWK25LTA	SYFWK505L	YAR205-2RF/VE495	25	39.5	25.4	34.1	73.5	36.5	50.8	76.2	M10	12	19.8
SYFWK30LTA	SYFWK506L	YAR206-2RF/VE495	30	42.5	28	38.1	84	42.9	76.2	101	M10	12	22.2
SYFWK35LTA	SYFWK507L	YAR207-2RF/VE495	35	47.5	32.5	42.9	95	47.6	82.6	110	M10	12	25.4
SYFWK40LTA	SYFWK508L	YAR208-2RF/VE495	40	48	35	49.2	100.5	49.2	88.9	120	M12	16	30.2
SYFWK50LTA	SYFWK510L	YAR210-2RF/VE495	50	54	37.5	51.6	115	57.2	101.6	135	M16	33.5	32.6

Designation	Separate components		Basic load ratings		Fatigue load limit	Limiting speed with shaft tolerance	Mass Bearing unit	Appropriate cover	
			dynamic	static				Designation	Dimension
Bearing unit	Housing	Bearing	C	C ₀	P _u	h ₆	kg	-	A5
-	-	-	kN		kN	r/min	-	-	mm
SYFWK20LTA	SYFWK504L	YAR204-2RF/VE495	12.76	6.58	0.28	5100	0.26	ECL204	20.3
SYFWK25LTA	SYFWK505L	YAR205-2RF/VE495	14.07	7.84	0.34	4400	0.33	ECL205	22
SYFWK30LTA	SYFWK506L	YAR206-2RF/VE495	19.60	11.26	0.48	3900	0.5	ECL206	27
SYFWK35LTA	SYFWK507L	YAR207-2RF/VE495	25.63	15.38	0.66	3300	0.69	ECL207	28.8
SYFWK40LTA	SYFWK508L	YAR208-2RF/VE495	30.85	19.10	0.80	2900	0.86	ECL208	33.5
SYFWK50LTA	SYFWK510L	YAR210-2RF/VE495	35.28	23.32	0.98	2300	1.25	ECL210	42.4

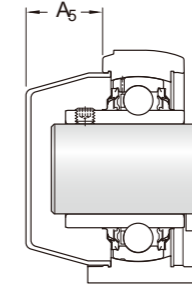
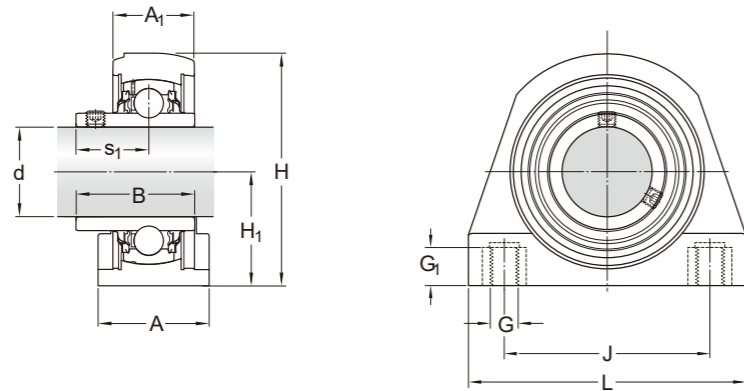
2.2 Composite KMR Food Line Y-bearing short base plummer block units stainless steel bearings, inch shafts d 3/4 – 1 15/16 in .19,05 – 49,213 mm



Designation	Separate components		Dimensions										
			d	A	A ₁	B	H	H ₁	J	L	G	G ₁	S ₁
Bearing unit	Housing	Bearing	in ./mm										
-			3/4	1.36	0.94	1.22	2.6	1.31	2	2.87	M8	0.47	0.72
			19.05	34.5	23.8	31	66	33.3	50.8	72.8	M8	12	18.3
SYFWK1.LTHR	SYFWK505L	YAR205-100-2RFGR/HV	1	1.55	1	1.34	2.89	1.44	2	3	M10	0.47	0.78
			25.4	39.5	25.4	34.1	73.5	36.5	50.8	76.2	M10	12	19.8
SYFWK1.3/16LTHR	SYFWK506L	YAR206-103-2RFGR/HV	1 3/16	1.67	1.1	1.5	3.31	1.69	3	3.98	M10	0.47	0.87
			30.163	42.5	28	38.1	84	42.9	76.2	101	M10	12	22.2
SYFWK1.1/4LTHR	SYFWK506L	YAR206-104-2RFGR/HV	1 1/4	1.67	1.1	1.5	3.31	1.69	3	3.98	M10	0.47	0.87
			31.75	42.5	28	38.1	84	42.9	76.2	101	M10	12	22.2
SYFWK1.1/4LTHR	SYFWK507L	YAR207-104-2RFGR/HV	1 1/4	1.87	1.28	1.69	3.74	1.87	3.25	4.33	M10	0.47	1
			31.75	47.5	32.5	42.9	95	47.6	82.6	110	M10	12	25.4
SYFWK1.3/8LTHR	SYFWK507L	YAR207-106-2RFGR/HV	1 3/8	1.87	1.28	1.69	3.74	1.87	3.25	4.33	M10	0.47	1
			34.925	47.5	32.5	42.9	95	47.6	82.6	110	M10	12	25.4
SYFWK1.7/16LTHR	SYFWK507L	YAR207-107-2RFGR/HV	1 7/16	1.87	1.28	1.69	3.74	1.87	3.25	4.33	M10	0.47	1
			36.513	47.5	32.5	42.9	95	47.6	82.6	110	M10	12	25.4
SYFWK1.1/2LTHR	SYFWK508L	YAR208-108-2RFGR/HV	1 1/2	1.89	1.38	1.94	3.96	1.94	3.5	4.72	M12	0.63	1.19
			38.1	48	35	49.2	100.5	49.2	88.9	120	M12	16	30.2
SYFWK1.15/16LTHR	SYFWK510L	YAR210-115-2RFGR/HV	1 15/16	2.13	1.54	2.03	4.53	2.25	4	5.31	M16	0.93	1.28
			49.213	54	39	51.6	115	57.2	101.6	135	M16	23.5	32.6

Designation	Separate components		Basic load ratings		Fatigue load limit	Limiting speed with shaft tolerance	Mass Bearing unit	Appropriate cover	
			dynamic	static				Designation End cover closed	Dimension
Bearing unit	Housing	Bearing	C	C ₀	P _u	h6	lb/kg	-	A5
-			lbf/kN		lbf/kN	r/min		-	in ./mm
SYFWK3/4LTHR	SYFWK504L	YAR204-012-2RFGR/HV	2430	1470	60	5000	0.6	ECL204	0.8
			10.8	6.55	0.28		0.27		20.3
SYFWK1.LTHR	SYFWK505L	YAR205-100-2RFGR/HV	2680	1760	80	4300	0.74	ECL205	0.87
			11.9	7.8	0.335		0.34		22
SYFWK1.3/16LTHR	SYFWK506L	YAR206-103-2RFGR/HV	3670	2520	110	3800	1.1	ECL206	1.07
			16.3	11.2	0.475		0.5		27
SYFWK1.1/4LTHR	SYFWK506L	YAR206-104-2RFGR/HV	3670	2520	110	3800	1.08	ECL206	1.07
			16.3	11.2	0.475		0.49		27
SYFWK1.1/4LTHR	SYFWK507L	YAR207-104-2RFGR/HV	4860	3440	150	3200	1.74	ECL207	1.1
			21.6	15.3	0.655		0.79		28.8
SYFWK1.3/8LTHR	SYFWK507L	YAR207-106-2RFGR/HV	4860	3440	150	3200	1.52	ECL207	1.1
			21.6	15.3	0.655		0.69		28.8
SYFWK1.7/16LTHR	SYFWK507L	YAR207-107-2RFGR/HV	4860	3440	150	3200	1.54	ECL207	1.1
			21.6	15.3	0.655		0.7		28.8
SYFWK1.1/2LTHR	SYFWK508L	YAR208-108-2RFGR/HV	5850	4280	180	2800	1.89	ECL208	1.32
			26	19	0.8		0.86		33.5
SYFWK1.15/16LTHR	SYFWK510L	YAR210-115-2RFGR/HV	6660	5220	220	2200	2.93	ECL210	1.67
			29.6	23.2	0.98		1.33		42.4

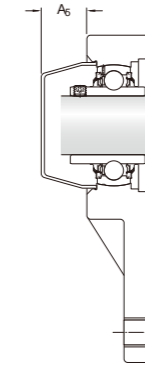
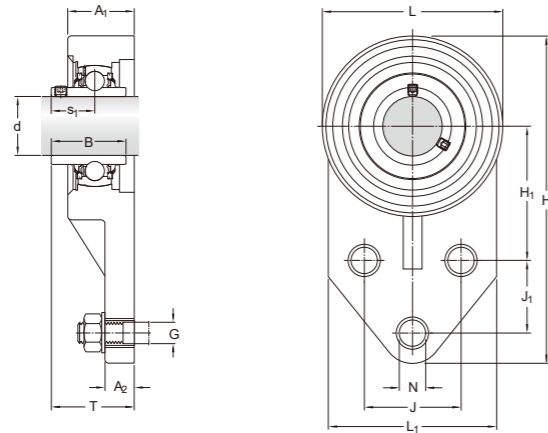
2.2 Composite KMR Food Line Y-bearing short base plummer block units zinc coated bearings, inch shafts d 3/4 – 1 15/16 in .19,05 – 49,213 mm



Designation	Separate components		Dimensions										
			d	A	A ₁	B	H	H ₁	J	L	G	G ₁	S ₁
Bearing unit	Housing	Bearing	in./mm										
-			3/4	1.36	0.94	1.22	2.6	1.31	2	2.87	M8	0.47	0.72
			19.05	34.5	23.8	31	66	33.3	50.8	72.8	M8	12	18.3
SYFWK15/16LTA	SYFWK505L	YAR205-015-2RF/VE495	15/16	1.55	1	1.34	2.89	1.44	2	3	M10	0.47	0.78
			23,813	39.5	25.4	34.1	73.5	36.5	50.8	76.2	M10	12	19.8
SYFWK1.LTA	SYFWK505L	YAR205-100-2RF/VE495	1	1.55	1	1.34	2.89	1.44	2	3	M10	0.47	0.78
			25.4	39.5	25.4	34.1	73.5	36.5	50.8	76.2	M10	12	19.8
SYFWK1.3/16LTA	SYFWK506L	YAR206-103-2RF/VE495	1 3/16	1.67	1.1	1.5	3.31	1.69	3	3.98	M10	0.47	0.87
			30,163	42.5	28	38.1	84	42.9	76.2	101	M10	12	22.2
SYFWK1.1/4ALTA	SYFWK506L	YAR206-104-2RF/VE495	1 1/4	1.67	1.1	1.5	3.31	1.69	3	3.98	M10	0.47	0.87
			31.75	42.5	28	38.1	84	42.9	76.2	101	M10	12	22.2
SYFWK1.1/4LTA	SYFWK507L	YAR207-104-2RF/VE495	1 1/4	1.87	1.28	1.69	3.74	1.87	3.25	4.33	M10	0.47	1
			31.75	47.5	32.5	42.9	95	47.6	82.6	110	M10	12	25.4
SYFWK1.3/8LTA	SYFWK507L	YAR207-106-2RF/VE495	1 3/8	1.87	1.28	1.69	3.74	1.87	3.25	4.33	M10	0.47	1
			34,925	47.5	32.5	42.9	95	47.6	82.6	110	M10	12	25.4
SYFWK1.7/16LTA	SYFWK507L	YAR207-107-2RF/VE495	1 7/16	1.87	1.28	1.69	3.74	1.87	3.25	4.33	M10	0.47	1
			36,513	47.5	32.5	42.9	95	47.6	82.6	110	M10	12	25.4
SYFWK1.1/2LTA	SYFWK508L	YAR208-108-2RF/VE495	1 1/2	1.89	1.38	1.94	3.96	1.94	3.5	4.72	M12	0.63	1.19
			38.1	48	35	49.2	100.5	49.2	88.9	120	M12	16	30.2
SYFWK1.15/16LTA	SYFWK510L	YAR210-115-2RF/VE495	1 15/16	2.13	1.48	2.03	4.53	2.25	4	5.31	M16	0.98	1.28
			49,213	54	37.5	51.6	115	57.2	101.6	135	M16	23.5	32.6

Designation	Separate components		Basic load ratings		Fatigue load limit	Limiting speed with shaft tolerance	Mass Bearing unit	Appropriate cover	
			dynamic	static				Designation END cover closed	Dimension
Bearing unit	Housing	Bearing	C	C ₀	P _u	h6	lb/kg	-	A5
-			lb/kN		lb/kN	r/min		-	in./mm
SYFWK3/4LTA	SYFWK504L	YAR204-012-2RF/VE495	2860	1470	60	5000	0.6	ECL204	0.8
			12.7	6.55	0.28		0.27		20.3
SYFWK15/16LTA	SYFWK505L	YAR205-015-2RF/VE495	3150	1760	80	4300	0.74	ECL205	0.87
			14	7.8	0.335		0.34		22
SYFWK1.LTA	SYFWK505L	YAR205-100-2RF/VE495	3150	1760	80	4300	0.74	ECL205	0.87
			14	7.8	0.335		0.34		22
SYFWK1.3/16LTA	SYFWK506L	YAR206-103-2RF/VE495	4390	11.2	110	3800	1.1	ECL206	1.07
			19.5	11.2	0.475		0.5		27
SYFWK1.1/4ALTA	SYFWK506L	YAR206-104-2RF/VE495	4390	11.2	110	3800	1.08	ECL206	1.07
			19.5	11.2	0.475		0.49		27
SYFWK1.1/4LTA	SYFWK507L	YAR207-104-2RF/VE495	5740	3440	150	3200	1.74	ECL207	1.1
			25.5	15.3	0.655		0.79		28.8
SYFWK1.3/8LTA	SYFWK507L	YAR207-106-2RF/VE495	5740	3440	150	3200	1.52	ECL207	1.1
			25.5	15.3	0.655		0.69		28.8
SYFWK1.7/16LTA	SYFWK507L	YAR207-107-2RF/VE495	5740	3440	150	3200	1.54	ECL207	1.12
			25.5	15.3	0.655		0.7		28.4
SYFWK1.1/2LTA	SYFWK508L	YAR208-108-2RF/VE495	6910	4280	180	2800	1.89	ECL208	1.32
			30.7	19	0.8		0.86		33.5
SYFWK1.15/16LTA	SYFWK510L	YAR210-115-2RF/VE495	7900	5220	220	2200	2.93	ECL210	1.67
			35.1	23.2	0.98		1.33		42.4

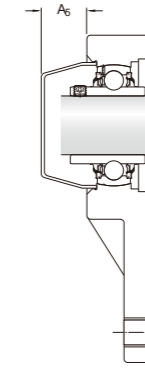
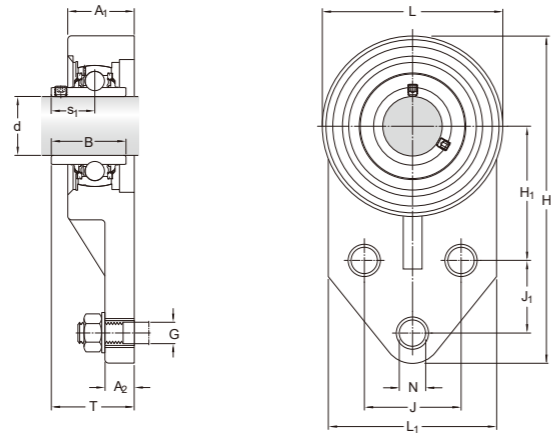
2.3 Composite KMR Food Line Y-bearing 3-bolt flange units stainless steel bearings, metric shafts d 20 – 50 mm



Designation	Separate components		Dimensions														Basic load ratings		Fatigue load limit
	Bearing unit	Housing	Bearing	mm														dynamic	
d				A ₁	A ₂	H	B	L	L ₁	J	H ₁	J ₁	N	G	T	S ₁	C	C ₀	
-	-	-	mm														kN		kN
FYAWK20LTHR	FYAWK504L	YAR204-2RFGR/HV	20	26.5	11.4	108	31	63.5	62	38.1	42.9	22.2	10.7	10	33.7	18.3	10.85	6.58	0.28
FYAWK25LTHR	FYAWK505L	YAR205-2RFGR/HV	25	34	11.4	120.6	34.1	70	63.5	41.3	46	28.6	10.7	10	41.6	19.8	11.96	7.84	0.34
FYAWK30LTHR	FYAWK506L	YAR206-2RFGR/HV	30	32	13.3	138	38.1	83	76	47.6	52.4	31.8	10.7	10	41.5	22.2	16.38	11.26	0.48
FYAWK35LTHR	FYAWK507L	YAR207-2RFGR/HV	35	36.5	16.1	157	42.9	95	89	50.8	60.3	31.8	13.1	12	47.1	25.4	21.71	15.38	0.66
FYAWK40LTHR	FYAWK508L	YAR208-2RFGR/HV	40	37	16.1	159	49.2	99	89	50.8	60.3	31.8	13.1	12	51.7	30.2	26.13	19.10	0.80
FYAWK50LTHR	FYAWK510L	YAR210-2RFGR/HV	50	39	20	185.5	51.6	112	100	60	68	46	14	12	56.6	32.6	29.75	23.32	0.98

Designation	Separate components		Limiting speed with shaft tolerance h6	Mass Bearing unit	Appropriate cover		
	Bearing unit	Housing			Bearing	Designation End cover closed	Dimension
-			r/min	kg			-
							mm
FYAWK20LTHR	FYAWK504L	YAR204-2RFGR/HV	5100	0.25	ECL204	20.3	
FYAWK25LTHR	FYAWK505L	YAR205-2RFGR/HV	4400	0.3	ECL205	22.2	
FYAWK30LTHR	FYAWK506L	YAR206-2RFGR/HV	3900	0.46	ECL206	26.9	
FYAWK35LTHR	FYAWK507L	YAR207-2RFGR/HV	3300	0.66	ECL207	28.6	
FYAWK40LTHR	FYAWK508L	YAR208-2RFGR/HV	2900	0.88	ECL208	33.5	
FYAWK50LTHR	FYAWK510L	YAR210-2RFGR/HV	2300	1.08	ECL210	43	

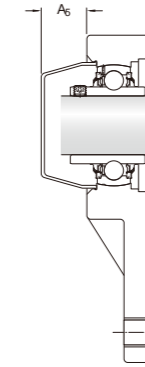
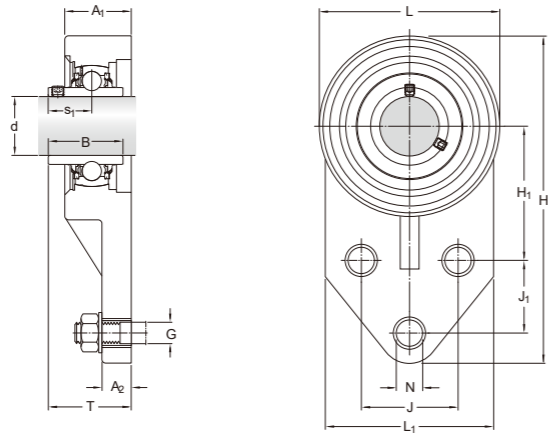
2.3 Composite KMR Food Line Y-bearing 3-bolt flange units zinc coated bearings, metric shafts d 20 – 50 mm



Designation	Separate components		Dimensions														Basic load ratings		Fatigue load limit
			dynamic	static															
Bearing unit	Housing	Bearing	d	A ₁	A ₂	H	B	L	L ₁	J	H ₁	J ₁	N	G	T	S ₁	C	C ₀	P _u
-	-	-	mm														kN		kN
FYAWK20LTA	FYAWK504L	YAR204-2RF/VE495	20	26.5	11.4	108	31	63.5	62	38.1	42.9	22.2	10.7	10	33.7	18.3	12.76	6.58	0.28
FYAWK25LTA	FYAWK505L	YAR205-2RF/VE495	25	34	11.4	120.6	34.1	70	63.5	41.3	46	28.6	10.7	10	41.6	19.8	14.07	7.84	0.34
FYAWK30LTA	FYAWK506L	YAR206-2RF/VE495	30	32	13.3	138	38.1	83	76	47.6	52.4	31.8	10.7	10	41.5	22.2	19.60	11.26	0.48
FYAWK35LTA	FYAWK507L	YAR207-2RF/VE495	35	36.5	16.1	157	42.9	95	89	50.8	60.3	31.8	13.1	12	47.1	25.4	25.63	15.38	0.66
FYAWK40LTA	FYAWK508L	YAR208-2RF/VE495	40	37	16.1	159	49.2	99	89	50.8	60.3	31.8	13.1	12	51.7	30.2	30.85	19.10	0.80
FYAWK50LTA	FYAWK510L	YAR210-2RF/VE495	50	39	20	185.5	51.6	112	100	60	68	46	14	12	56.6	32.6	35.28	23.32	0.98

Designation	Separate components		Limiting speed with shaft tolerance	Mass Bearing unit	Appropriate cover	
					Designation END cover closed	Dimension
Bearing unit	Housing	Bearing	h6	kg	-	A5
-	-	-	r/min	kg	-	mm
FYAWK20LTA	FYAWK504L	YAR204-2RF/VE495	5100	0.25	ECL204	20.3
FYAWK25LTA	FYAWK505L	YAR205-2RF/VE495	4400	0.3	ECL205	22.2
FYAWK30LTA	FYAWK506L	YAR206-2RF/VE495	3900	0.46	ECL206	26.9
FYAWK35LTA	FYAWK507L	YAR207-2RF/VE495	3300	0.66	ECL207	28.6
FYAWK40LTA	FYAWK508L	YAR208-2RF/VE495	2900	0.88	ECL208	33.5
FYAWK50LTA	FYAWK510L	YAR210-2RF/VE495	2300	1.08	ECL210	43

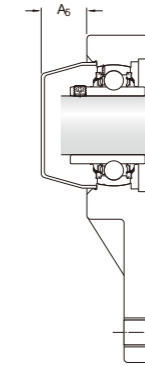
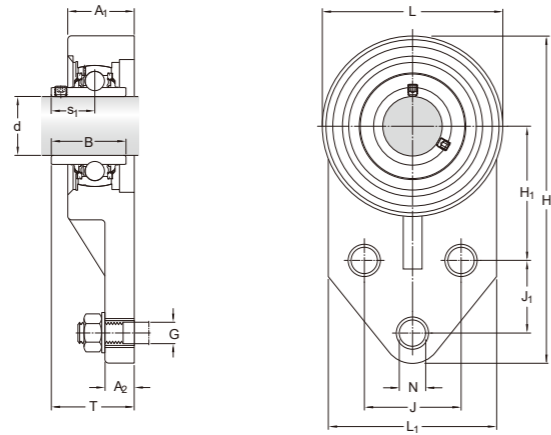
2.3 Composite KMR Food Line Y-bearing 3-bolt flange units stainless steel bearings, inch shafts d 3/4 – 1 15/16 in .19,05 – 49,213 mm



Designation	Separate components		Dimensions														
			d	A ₁	A ₂	H	B	L	L ₁	J	H ₁	J ₁	N	G	T	S ₁	
	Housing	Bearing	in./mm														
FYAWK3/4LTHR	FYAWK504L	YAR204-012-2RFGR/HV	3/4	1.04	0.45	4.25	1.22	2.5	2.44	1.5	1.69	0.87	0.42	3/8	1.33	0.72	
			19.05	26.5	11.4	108	31	63.5	62	38.1	42.9	22.2	10.7		33.7	18.3	
FYAWK1.LTHR	FYAWK505L	YAR205-100-2RFGR/HV	1	1.34	0.45	4.75	1.34	2.76	2.5	1.63	1.81	1.13	0.42	3/8	1.64	0.78	
			25.4	34	11.4	120.6	34.1	70	63.5	41.3	46	28.6	10.7		41.6	19.8	
FYAWK1.3/16LTHR	FYAWK506L	YAR206-103-2RFGR/HV	1 3/16	1.26	0.52	5.43	1.5	3.27	2.99	1.87	2.06	1.25	0.42	3/8	1.63	0.87	
			30,163	32	13.3	138	38.1	83	76	47.6	52.4	31.8	10.7		41.5	22.2	
FYAWK1.1/4LTHR	FYAWK506L	YAR206-104-2RFGR/HV	1 1/4	1.26	0.52	5.45	1.5	3.27	2.99	1.87	2.06	1.25	0.42	3/8	1.63	0.87	
			31.75	32	13.3	138.5	38.1	83	76	47.6	52.4	31.8	10.7		41.5	22.2	
FYAWK1.1/4LTHR	FYAWK507L	YAR207-104-2RFGR/HV	1 1/4	1.44	0.63	6.18	1.69	3.74	3.5	2	2.37	1.25	0.52	1/2	1.85	1	
			31.75	36.5	16.1	157	42.9	95	89	50.8	60.3	31.8	13.1		47.1	25.4	
FYAWK1.3/8LTHR	FYAWK507L	YAR207-106-2RFGR/HV	1 3/8	1.44	0.63	6.18	1.69	3.74	3.5	2	2.37	1.25	0.52	1/2	1.85	1	
			34,925	36.5	16.1	157	42.9	95	89	50.8	60.3	31.8	13.1		47.1	25.4	
FYAWK1.7/16LTHR	FYAWK507L	YAR207-107-2RFGR/HV	1 7/16	1.44	0.63	6.18	1.69	3.74	3.5	2	2.37	1.25	0.52	1/2	1.85	1	
			36,513	36.5	16.1	157	42.9	95	89	50.8	60.3	31.8	13.1		47.1	25.4	
FYAWK1.1/2LTHR	FYAWK508L	YAR208-108-2RFGR/HV	1 1/2	1.46	0.63	6.26	1.94	3.9	3.5	2	2.37	1.25	0.52	1/2	2.04	1.19	
			38.1	37	16.1	159	49.2	99	89	50.8	60.3	31.8	13.1		51.7	30.2	
FYAWK1.15/16LTHR	FYAWK510L	YAR210-115-2RFGR/HV	1 15/16	1.54	0.79	7.3	2.03	4.41	3.94	2.36	2.68	1.81	0.55	1/2	2.23	1.28	
			49,213	39	20	185.5	51.6	112	100	60	68	46	14		56.6	32.6	

Designation	Separate components		Basic load ratings		Fatigue load limit	Limiting speed with shaft tolerance	Mass Bearing unit	Appropriate cover	
			dynamic	static				Designation End cover closed	Dimension
	Housing	Bearing	C	C ₀	P _u	h6		A5	
			lbf/kN		lbf/kN	r/min	kg	-	mm
FYAWK3/4LTHR	FYAWK504L	YAR204-012-2RFGR/HV	2454	1485	61	5100	0.59	ECL204	0.8
			10.8	6.55	0.28		0.6		20.3
FYAWK1.LTHR	FYAWK505L	YAR205-100-2RFGR/HV	2707	1778	81	4400	0.68	ECL205	0.87
			11.9	7.8	0.335		0.31		22.2
FYAWK1.3/16LTHR	FYAWK506L	YAR206-103-2RFGR/HV	3707	2545	111	3900	1.01	ECL206	1.06
			16.3	11.2	0.475		0.46		26.9
FYAWK1.1/4LTHR	FYAWK506L	YAR206-104-2RFGR/HV	3707	2545	111	3900	0.99	ECL206	1.06
			16.3	11.2	0.475		0.45		26.9
FYAWK1.1/4LTHR	FYAWK507L	YAR207-104-2RFGR/HV	4909	3474	152	3300	1.67	ECL207	1.13
			21.6	15.3	0.655		0.76		28.6
FYAWK1.3/8LTHR	FYAWK507L	YAR207-106-2RFGR/HV	4909	3474	152	3300	1.45	ECL207	1.13
			21.6	15.3	0.655		0.66		28.6
FYAWK1.7/16LTHR	FYAWK507L	YAR207-107-2RFGR/HV	4909	3474	152	3300	1.47	ECL207	1.13
			21.6	15.3	0.655		0.67		28.6
FYAWK1.1/2LTHR	FYAWK508L	YAR208-108-2RFGR/HV	5909	4323	182	2900	1.94	ECL208	1.32
			26	19	0.8		0.88		33.5
FYAWK1.15/16LTHR	FYAWK510L	YAR210-115-2RFGR/HV	6727	5272	222	2300	2.33	ECL210	1.69
			29.6	23.2	0.98		1.06		43

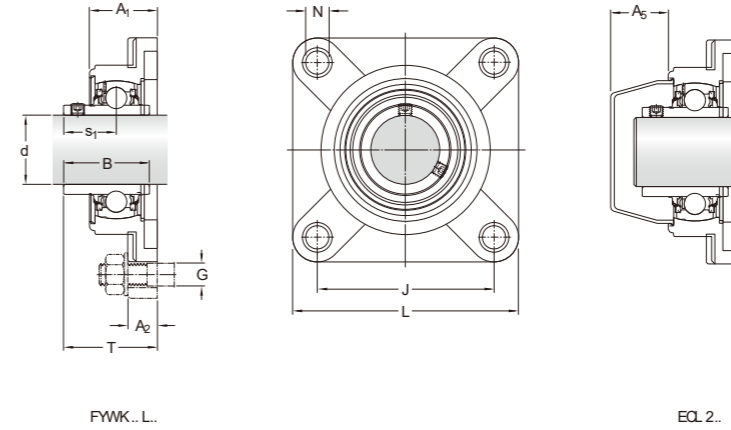
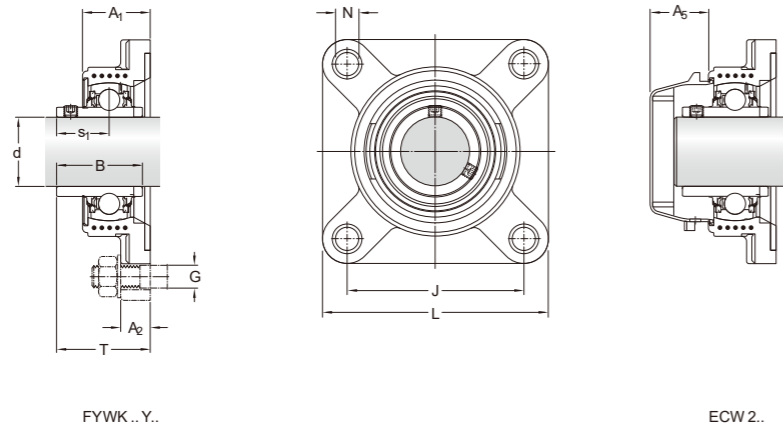
2.3 Composite KMR Food Line Y-bearing 3-bolt flange units zinc coated bearings, inch shafts d 3/4 – 1 15/16 in .19,05 – 49,213 mm



Designation	Separate components		Dimensions														
	Bearing unit	Housing	Bearing	d	A ₁	A ₂	H	B	L	L ₁	J	H ₁	J ₁	N	G	T	S ₁
-			in./mm														
FYAWK3/4LTA	FYAWK504L	YAR204-012-2RF/VE495	3/4	1.04	0.45	4.25	1.22	2.5	2.44	1.5	1.69	0.87	0.42	3/8	1.33	0.72	
			19.05	26.5	11.4	108	31	63.5	62	38.1	42.9	22.2	10.7		33.7	18.3	
FYAWK15/16LTA	FYAWK505L	YAR205-015-2RF/VE495	15/16	1.34	0.45	4.75	1.34	2.76	2.5	1.63	1.81	1.13	0.42	3/8	1.64	0.78	
			23.81	34	11.4	120.6	34.1	70	63.5	41.3	46	28.6	10.7		41.6	19.8	
FYAWK1.LTA	FYAWK505L	YAR205-100-2RF/VE495	1	1.34	0.45	4.75	1.34	2.76	2.5	1.63	1.81	1.13	0.42	3/8	1.64	0.78	
			25.4	34	11.4	120.6	34.1	70	63.5	41.3	46	28.6	10.7		41.6	19.8	
FYAWK1.3/16LTA	FYAWK506L	YAR206-103-2RF/VE495	1 3/16	1.26	0.52	5.43	1.5	3.27	2.99	1.87	2.06	1.25	0.42	3/8	1.63	0.87	
			30,163	32	13.3	138	38.1	83	76	47.6	52.4	31.8	10.7		41.5	22.2	
FYAWK1.1/4ALTA	FYAWK506L	YAR206-104-2RF/VE495	1 1/4	1.26	0.52	5.45	1.5	3.27	2.99	1.87	2.06	1.25	0.42	3/8	1.63	0.87	
			31.75	32	13.3	138.5	38.1	83	76	47.6	52.4	31.8	10.7		41.5	22.2	
FYAWK1.1/4LTA	FYAWK507L	YAR207-104-2RF/VE495	1 1/4	1.44	0.63	6.18	1.69	3.74	3.5	2	2.37	1.25	0.52	1/2	1.85	1	
			31.75	36.5	16.1	157	42.9	95	89	50.8	60.3	31.8	13.1		47.1	25.4	
FYAWK1.3/8LTA	FYAWK507L	YAR207-106-2RF/VE495	1 3/8	1.44	0.63	6.18	1.69	3.74	3.5	2	2.37	1.25	0.52	1/2	1.85	1	
			34,925	36.5	16.1	157	42.9	95	89	50.8	60.3	31.8	13.1		47.1	25.4	
FYAWK1.7/16LTA	FYAWK507L	YAR207-107-2RF/VE495	1 7/16	1.44	0.63	6.18	1.69	3.74	3.5	2	2.37	1.25	0.52	1/2	1.85	1	
			36,513	36.5	16.1	157	42.9	95	89	50.8	60.3	31.8	13.1		47.1	25.4	
FYAWK1.1/2LTA	FYAWK508L	YAR208-108-2RF/VE495	1 1/2	1.46	0.63	6.26	1.94	3.9	3.5	2	2.37	1.25	0.52	1/2	2.04	1.19	
			38.1	37	16.1	159	49.2	99	89	50.8	60.3	31.8	13.1		51.7	30.2	
FYAWK1.15/16LTA	FYAWK510L	YAR210-115-2RF/VE495	1 15/16	1.54	0.79	7.3	2.03	4.41	3.94	2.36	2.68	1.81	0.55	1/2	2.23	1.28	
			49,213	39	20	185.5	51.6	112	100	60	68	46	14		56.6	32.6	

Designation	Separate components		Basic load ratings		Fatigue load limit	Limiting speed with shaft tolerance	Mass Bearing unit	Appropriate cover	
	Bearing unit	Housing	Bearing	dynamic				static	Designation END cover closed
-			lb/f/kN		lb/f/kN	r/min	kg	-	mm
FYAWK3/4LTA	FYAWK504L	YAR204-012-2RF/VE495	2889	1485	61	5100	0.59	ECL204	0.8
			12.7	6.6	0.28		0.6		20.3
FYAWK15/16LTA	FYAWK505L	YAR205-015-2RF/VE495	3182	1778	81	4400	0.73	ECL205	0.87
			14.0	7.8	0.34		0.33		22.2
FYAWK1.LTA	FYAWK505L	YAR205-100-2RF/VE495	3182	1778	81	4400	0.68	ECL205	0.87
			14.0	7.8	0.34		0.31		22.2
FYAWK1.3/16LTA	FYAWK506L	YAR206-103-2RF/VE495	4434	2545	111	3900	1.01	ECL206	1.06
			19.5	11.2	0.48		0.46		26.9
FYAWK1.1/4ALTA	FYAWK506L	YAR206-104-2RF/VE495	4434	2545	111	3900	0.99	ECL206	1.06
			19.5	11.2	0.48		0.45		26.9
FYAWK1.1/4LTA	FYAWK507L	YAR207-104-2RF/VE495	5798	3474	152	3300	1.67	ECL207	1.13
			25.5	15.3	0.66		0.76		28.6
FYAWK1.3/8LTA	FYAWK507L	YAR207-106-2RF/VE495	5798	3474	152	3300	1.45	ECL207	1.13
			25.5	15.3	0.66		0.66		28.6
FYAWK1.7/16LTA	FYAWK507L	YAR207-107-2RF/VE495	5798	3474	152	3300	1.47	ECL207	1.13
			25.5	15.3	0.66		0.67		28.6
FYAWK1.1/2LTA	FYAWK508L	YAR208-108-2RF/VE495	6979	4323	182	2900	1.94	ECL208	1.32
			30.7	19.0	0.80		0.88		33.5
FYAWK1.15/16LTA	FYAWK510L	YAR210-115-2RF/VE495	7979	5272	222	2300	2.33	ECL210	1.69
			35.1	23.2	0.98		1.06		43

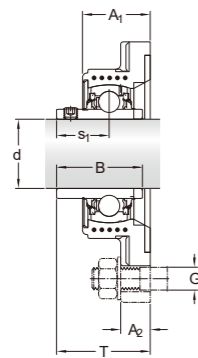
2.4 Composite KMR Food Line Y-bearing square flanged units stainless steel bearings, metric shafts d 20 – 50 mm



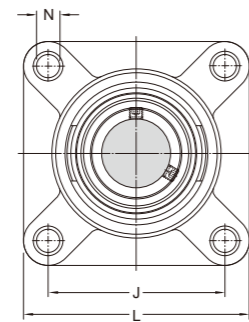
Designation	Separate components		Dimensions									
			d	A ₁	A ₂	B	J	L	N	G	S ₁	T
-	Housing	Bearing	mm									
FYWK20YTH	FYWK504Y	YAR204-2RF/HV	20	30	15	31	63.5	86	11.9	10	18.3	37.3
FYWK25YTH	FYWK505Y	YAR205-2RF/HV	25	31	15	34.1	70	95	11.9	10	19.8	38.8
FYWK30YTH	FYWK506Y	YAR206-2RF/HV	30	33	15.3	38.1	82.5	108	11.9	10	22.2	42.2
FYWK35YTH	FYWK507Y	YAR207-2RF/HV	35	35	17	42.9	92	118	14.3	12	25.4	46.4
FYWK40YTH	FYWK508Y	YAR208-2RF/HV	40	39	17	49.2	101.5	130	14.3	12	30.2	54.2
FYWK50LTHR	FYWK510L	YAR210-2RFGR/HV	50	43	21	51.6	111	143	17	16	32.6	57.6

Designation	Separate components		Basic load ratings		Fatigue load limit	Limiting speed with shaft tolerance	Mass Bearing unit	Appropriate cover	
			dynamic	static				Designation End cover closed	Dimension
-	Housing	Bearing	C	C ₀	P _u	h6	kg	-	A5
			kN		kN	r/min		-	mm
FYWK20YTH	FYWK504Y	YAR204-2RF/HV	10.85	6.58	0.28	5100	0.29	ECW204	26
FYWK25YTH	FYWK505Y	YAR205-2RF/HV	11.96	7.84	0.34	4400	0.36	ECW205	25.5
FYWK30YTH	FYWK506Y	YAR206-2RF/HV	16.38	11.26	0.48	3900	0.5	ECW206	30.5
FYWK35YTH	FYWK507Y	YAR207-2RF/HV	21.71	15.38	0.66	3300	0.74	ECW207	32
FYWK40YTH	FYWK508Y	YAR208-2RF/HV	26.13	19.10	0.80	2900	0.97	ECW208	33
FYWK50LTHR	FYWK510L	YAR210-2RFGR/HV	29.75	23.32	0.98	2300	1.25	ECL210	42.7

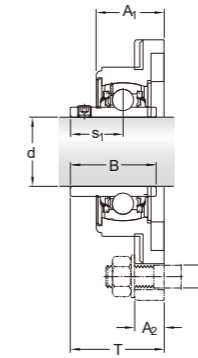
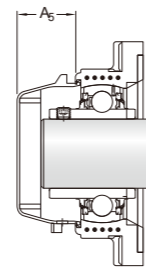
2.4 Composite KMR Food Line Y-bearing square flanged units zinc coated bearings, metric shafts d 20 – 50 mm



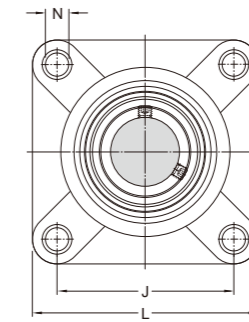
FYWK..Y..



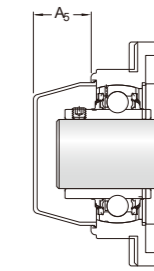
ECW 2..



FYWK..L..



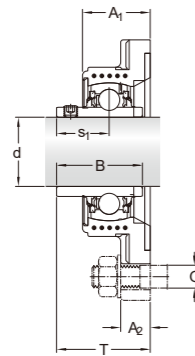
ECL 2..



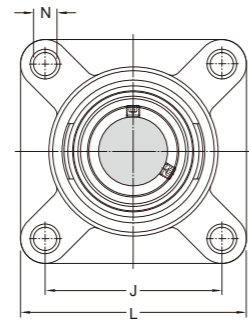
Designation	Separate components		Dimensions									
			d	A ₁	A ₂	B	J	L	N	G	S ₁	T
-	Housing	Bearing	mm									
FYWK20YTA	FYWK504Y	YAR204-2RF/VE495	20	30	15	31	63.5	86	11.9	10	18.3	37.3
FYWK25YTA	FYWK505Y	YAR205-2RF/VE495	25	31	15	34.1	70	95	11.9	10	19.8	38.8
FYWK30YTA	FYWK506Y	YAR206-2RF/VE495	30	33	15.3	38.1	82.5	108	11.9	10	22.2	42.2
FYWK35YTA	FYWK507Y	YAR207-2RF/VE495	35	35	17	42.9	92	118	14.3	12	25.4	46.4
FYWK40YTA	FYWK508Y	YAR208-2RF/VE495	40	39	17	49.2	101.5	130	14.3	12	30.2	54.2
FYWK50LTA	FYWK510L	YAR210-2RF/VE495	50	43	21	51.6	111	143	17	16	32.6	57.6

Designation	Separate components		Basic load ratings		Fatigue load limit	Limiting speed with shaft tolerance	Mass Bearing unit	Appropriate cover	
			dynamic	static				Designation End cover closed	Dimension
-	Housing	Bearing	C	C ₀	P _u	h6	-	A5	
			kN		kN	r/min	kg	mm	
FYWK20YTA	FYWK504Y	YAR204-2RF/VE495	12.76	6.58	0.28	5100	0.29	ECW204 26	
FYWK25YTA	FYWK505Y	YAR205-2RF/VE495	14.07	7.84	0.34	4400	0.36	ECW205 25.5	
FYWK30YTA	FYWK506Y	YAR206-2RF/VE495	19.60	11.26	0.48	3900	0.5	ECW206 30.5	
FYWK35YTA	FYWK507Y	YAR207-2RF/VE495	25.63	15.38	0.66	3300	0.74	ECW207 32	
FYWK40YTA	FYWK508Y	YAR208-2RF/VE495	30.85	19.10	0.80	2900	0.97	ECW208 33	
FYWK50LTA	FYWK510L	YAR210-2RF/VE495	35.28	23.32	0.98	2300	1.25	ECL210 42.7	

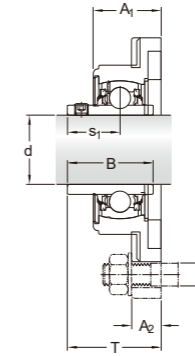
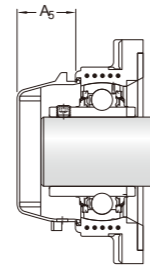
2.4 Composite KMR Food Line Y-bearing square flanged units stainless steel bearings, inch shafts $d = 3/4 - 1 15/16$ in . 19,05 – 49,213 mm



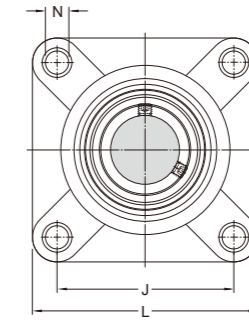
FYWK..Y..



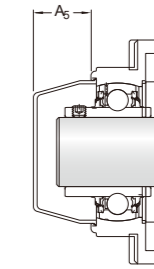
ECW 2..



FYWK..L..



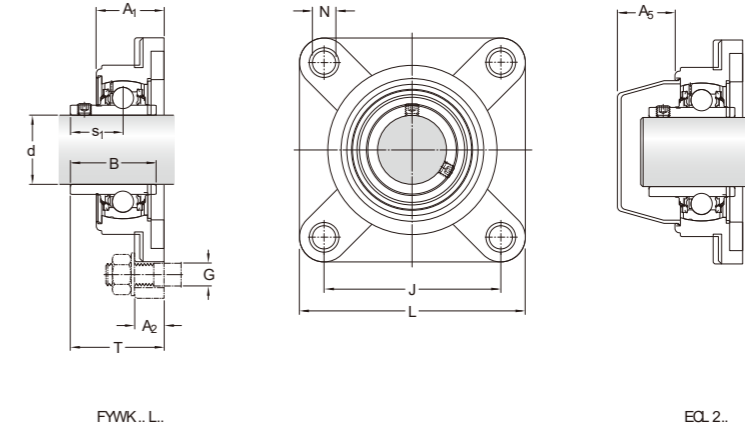
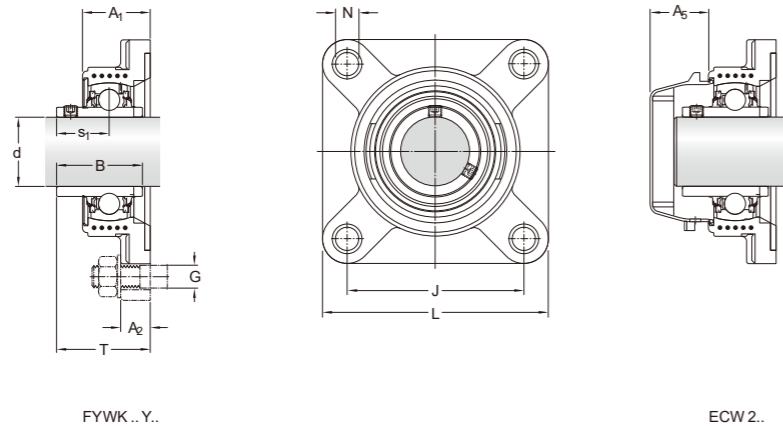
ECL 2..



Designation	Separate components		Dimensions									
			d	A ₁	A ₂	B	J	L	N	G	S ₁	T
	Housing	Bearing	in /mm									
FYWK3/4YTH	FYWK504Y	YAR204-012-2RF/HV	3/4	1.18	0.59	1.22	2.5	3.39	0.47	3/8	0.72	1.47
			19.05	30	15	31	63.5	86	11.9	10	18.3	37.3
FYWK1.YTH	FYWK505Y	YAR205-100-2RF/HV	1 3/16	1.22	0.59	1.34	2.76	3.74	0.47	3/8	0.78	1.53
			25.4	31	15	34.1	70	95	11.9	10	19.8	38.8
FYWK1.3/16YTH	FYWK506Y	YAR206-103-2RF/HV	1	1.3	0.6	1.5	3.25	4.25	0.47	3/8	0.87	1.66
			30,163	33	15.3	38.1	82.5	108	11.9	10	22.2	42.2
FYWK1.1/4AYTH	FYWK506Y	YAR206-104-2RF/HV	1 1/4	1.3	0.6	1.5	3.25	4.25	0.47	3/8	0.87	1.66
			31.75	33	15.3	38.1	82.5	108	11.9	10	22.2	42.2
FYWK1.1/4YTH	FYWK507Y	YAR207-104-2RF/HV	1 1/4	1.38	0.67	1.69	3.62	4.65	0.56	1/2	1	1.83
			31.75	35	17	42.9	92	118	14.3	12	25.4	46.4
FYWK1.3/8YTH	FYWK507Y	YAR207-106-2RF/HV	1 3/8	1.38	0.67	1.69	3.62	4.65	0.56	1/2	1	1.83
			34,925	35	17	42.9	92	118	14.3	12	25.4	46.4
FYWK1.7/16YTH	FYWK507Y	YAR207-107-2RF/HV	1 7/16	1.38	0.67	1.69	3.62	4.65	0.56	1/2	1	1.83
			36,513	35	17	42.9	92	118	14.3	12	25.4	46.4
FYWK1.1/2YTH	FYWK508Y	YAR208-108-2RF/HV	1 1/2	1.54	0.67	1.94	4	5.12	0.56	1/2	1.19	2.13
			38.1	39	17	49.2	101.5	130	14.3	12	30.2	54.2
FYWK1.15/16LTHR	FYWK510L	YAR210-115-2RFGR/HV	1 15/16	1.69	0.83	2.03	4.37	5.63	0.67	5/8	1.28	2.27
			49,213	43	21	51.6	111	143	17	16	32.6	57.6

Designation	Separate components		Basic load ratings		Fatigue load limit	Limiting speed with shaft tolerance	Mass Bearing unit	Appropriate cover	
			dynamic	static				Designation End cover closed	Dimension
	Housing	Bearing	C	C ₀	P _u	h6			
			lbf/kN		lbf/kN	r/min	lb/kg	-	in /mm
FYWK3/4YTH	FYWK504Y	YAR204-012-2RF/HV	2442.15	1477.35	60.3	5100	0.64	ECW204	1.02
			10.8	6.55	0.28		0.29		26
FYWK1.YTH	FYWK505Y	YAR205-100-2RF/HV	2693.4	1768.8	80.4	4400	0.79	ECW205	1
			11.9	7.8	0.335		0.36		25.5
FYWK1.3/16YTH	FYWK506Y	YAR206-103-2RF/HV	3688.35	2532.6	110.55	3900	1.1	ECW206	1.2
			16.3	11.2	0.475		0.5		30.5
FYWK1.1/4AYTH	FYWK506Y	YAR206-104-2RF/HV	3688.35	2532.6	110.55	3900	1.1	ECW206	1.2
			16.3	11.2	0.475		0.5		30.5
FYWK1.1/4YTH	FYWK507Y	YAR207-104-2RF/HV	4884.3	3457.2	150.75	3300	1.63	ECW207	1.26
			21.6	15.3	0.655		0.74		32
FYWK1.3/8YTH	FYWK507Y	YAR207-106-2RF/HV	4884.3	3457.2	150.75	3300	1.63	ECW207	1.26
			21.6	15.3	0.655		0.74		32
FYWK1.7/16YTH	FYWK507Y	YAR207-107-2RF/HV	4884.3	3457.2	150.75	3300	1.63	ECW207	1.26
			21.6	15.3	0.655		0.74		32
FYWK1.1/2YTH	FYWK508Y	YAR208-108-2RF/HV	5879.25	4301.4	180.9	2900	2.14	ECW208	1.3
			26	19	0.8		0.97		33
FYWK1.15/16LTHR	FYWK510L	YAR210-115-2RFGR/HV	6693.3	5246.1	221.1	2300	2.76	ECL210	1.68
			29.6	23.2	0.98		1.25		42.7

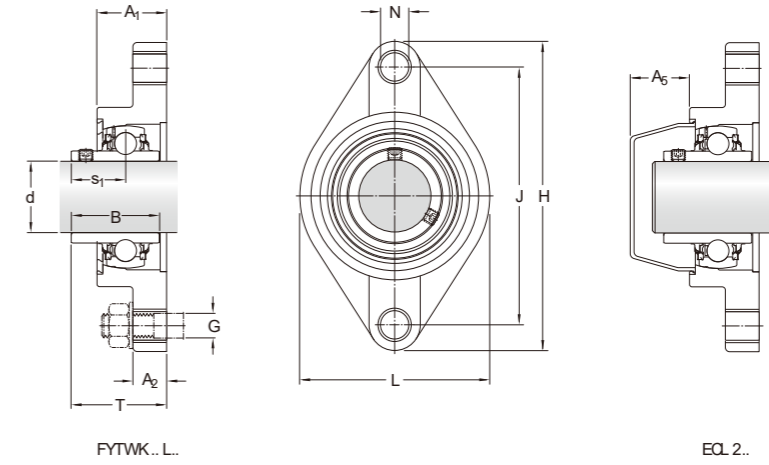
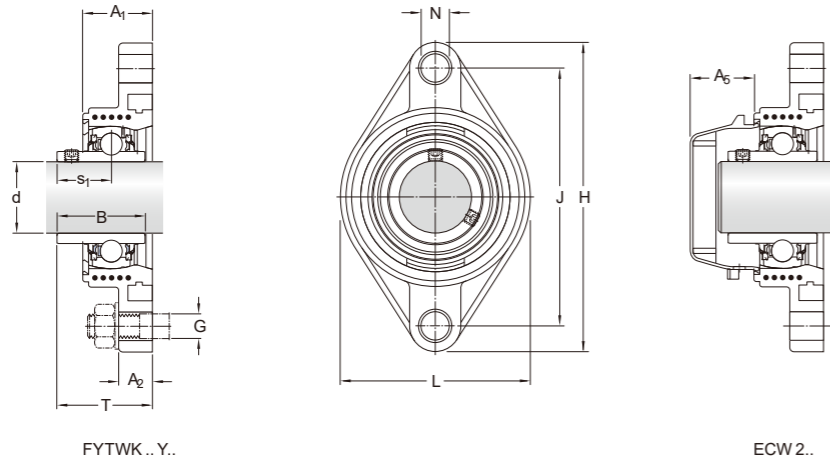
2.4 Composite KMR Food Line Y-bearing square flanged units zinc coated bearings, inch shafts d 3/4 – 1 15/16 in . 19,05 – 49,213 mm



Designation	Separate components		Dimensions									
			d	A ₁	A ₂	B	J	L	N	G	S ₁	T
-	Housing	Bearing	in /mm									
FYWK3/4YTA	FYWK504Y	YAR204-012-2RF/VE495	3/4	1.18	0.59	1.22	2.5	3.39	0.47	3/8	0.72	1.47
			19.05	30	15	31	63.5	86	11.9	10	18.3	37.3
FYWK15/16YTA	FYWK505Y	YAR205-015-2RF/VE495	15/16	1.22	0.59	1.34	2.76	3.74	0.47	3/8	0.78	1.53
			23,813	31	15	34.1	70	95	11.9	10	19.8	38.8
FYWK1.YTA	FYWK505Y	YAR205-100-2RF/VE495	1	1.22	0.59	1.34	2.76	3.74	0.47	3/8	0.78	1.53
			25.4	31	15	34.1	70	95	11.9	10	19.8	38.8
FYWK1.3/16YTA	FYWK506Y	YAR206-103-2RF/VE495	1 3/16	1.3	0.6	1.5	3.25	4.25	0.47	3/8	0.87	1.66
			30,163	33	15.3	38.1	82.5	108	11.9	10	22.2	42.2
FYWK1.1/4AYTA	FYWK506Y	YAR206-104-2RF/VE495	1 1/4	1.3	0.6	1.5	3.25	4.25	0.47	3/8	0.87	1.66
			31.75	33	15.3	38.1	82.5	108	11.9	10	22.2	42.2
FYWK1.1/4YTA	FYWK507Y	YAR207-104-2RF/VE495	1 1/4	1.38	0.67	1.69	3.62	4.65	0.56	1/2	1	1.83
			31.75	35	17	42.9	92	118	14.3	12	25.4	46.4
FYWK1.3/8YTA	FYWK507Y	YAR207-106-2RF/VE495	1 3/8	1.38	0.67	1.69	3.62	4.65	0.56	1/2	1	1.83
			34,925	35	17	42.9	92	118	14.3	12	25.4	46.4
FYWK1.7/16YTA	FYWK507Y	YAR207-107-2RF/VE495	1 7/16	1.38	0.67	1.69	3.62	4.65	0.56	1/2	1	1.83
			36,513	35	17	42.9	92	118	14.3	12	25.4	46.4
FYWK1.1/2YTA	FYWK508Y	YAR208-108-2RF/VE495	1 1/2	1.54	0.67	1.94	4	5.12	0.56	1/2	1.19	2.13
			38.1	39	17	49.2	101.5	130	14.3	12	30.2	54.2
FYWK1.15/16LTA	FYWK510L	YAR210-115-2RF/VE495	1 15/16	1.69	0.83	2.03	4.37	5.63	0.67	5/8	1.28	2.27
			49,213	43	21	51.6	111	143	17	16	32.6	57.6

Designation	Separate components		Basic load ratings		Fatigue load limit	Limiting speed with shaft tolerance	Mass Bearing unit	Appropriate cover	
			dynamic	static				Designation End cover closed	Dimension
-	Housing	Bearing	C	C ₀	P _u	h6	lb/kg	-	A5
			lbf/kN		lbf/kN	r/min			in /mm
FYWK3/4YTA	FYWK504Y	YAR204-012-2RF/VE495	2874.3	1477.35	60.3	5100	0.64	ECW204	1.02
			12.7	6.55	0.28		0.29		26
FYWK15/16YTA	FYWK505Y	YAR205-015-2RF/VE495	3165.75	1768.8	80.4	4400	0.86	ECW205	1
			14	7.8	0.335		0.39		25.5
FYWK1.YTA	FYWK505Y	YAR205-100-2RF/VE495	3165.75	1768.8	80.4	4400	0.79	ECW205	1
			14	7.8	0.335		0.36		25.5
FYWK1.3/16YTA	FYWK506Y	YAR206-103-2RF/VE495	4411.95	2532.6	110.55	3900	1.1	ECW206	1.2
			19.5	11.2	0.475		0.5		30.5
FYWK1.1/4AYTA	FYWK506Y	YAR206-104-2RF/VE495	4411.95	2532.6	110.55	3900	1.1	ECW206	1.2
			19.5	11.2	0.475		0.5		30.5
FYWK1.1/4YTA	FYWK507Y	YAR207-104-2RF/VE495	5768.7	3457.2	150.75	3300	1.63	ECW207	1.26
			25.5	15.3	0.655		0.74		32
FYWK1.3/8YTA	FYWK507Y	YAR207-106-2RF/VE495	5768.7	3457.2	150.75	3300	1.63	ECW207	1.26
			25.5	15.3	0.655		0.74		32
FYWK1.7/16YTA	FYWK507Y	YAR207-107-2RF/VE495	5768.7	3457.2	150.75	3300	1.63	ECW207	1.26
			25.5	15.3	0.655		0.74		32
FYWK1.1/2YTA	FYWK508Y	YAR208-108-2RF/VE495	6944.55	4301.4	180.9	2900	2.14	ECW208	1.3
			30.7	19	0.8		0.97		33
FYWK1.15/16LTA	FYWK510L	YAR210-115-2RF/VE495	7939.5	5246.1	221.1	2300	2.76	ECL210	1.68
			35.1	23.2	0.98		1.25		42.7

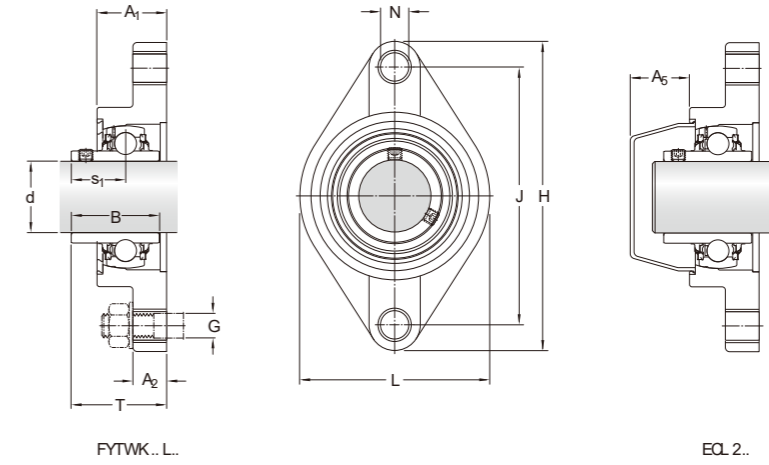
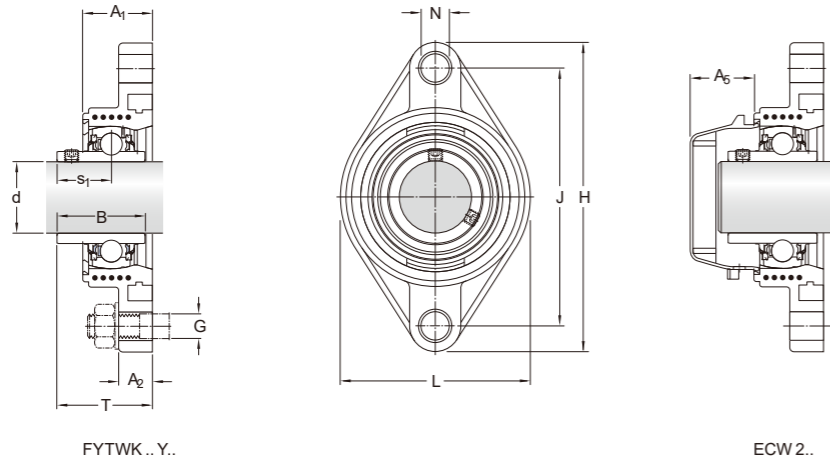
2.5 Composite KMR Food Line Y-bearing oval flanged units stainless steel bearings, metric shafts d 20 – 50 mm



Designation	Separate components		Dimensions										
			d	A ₁	A ₂	B	H	J	L	N	G	S ₁	T
-	Housing	Bearing	mm										
FYTWK20YTH	FYTWK504Y	YAR204-2RF/HV	20	29.5	15	31	112	90	60.5	11.9	10	18.3	37.3
FYTWK25YTH	FYTWK505Y	YAR205-2RF/HV	25	30	15	34.1	124	99	70	11.9	10	19.8	38.8
FYTWK30YTH	FYTWK506Y	YAR206-2RF/HV	30	33	15	38.1	142.5	116.5	83	11.9	10	22.2	42.2
FYTWK35YTH	FYTWK507Y	YAR207-2RF/HV	35	35	17	42.9	156	130	96	14.4	12	25.4	46.4
FYTWK40LTHR	FYTWK508L	YAR208-2RFGR/HV	40	37.5	20	49.2	175	144	100	14	12	30.2	51.7
FYTWK50LTHR	FYTWK510L	YAR210-2RFGR/HV	50	43	21	51.6	197	157	115	17	16	32.6	57.6

Designation	Separate components		Basic load ratings		Fatigue load limit	Limiting speed with shaft tolerance	Mass Bearing unit	Appropriate cover	
			dynamic	static				Designation End cover closed	Dimension
-	Housing	Bearing	C	C ₀	P _u	h6	-	A5	
			kN		kN	r/min	kg	mm	
FYTWK20YTH	FYTWK504Y	YAR204-2RF/HV	10.85	6.58	0.28	5100	0.24	ECW204 26	
FYTWK25YTH	FYTWK505Y	YAR205-2RF/HV	11.96	7.84	0.34	4400	0.29	ECW205 26	
FYTWK30YTH	FYTWK506Y	YAR206-2RF/HV	16.38	11.26	0.48	3900	0.44	ECW206 30.5	
FYTWK35YTH	FYTWK507Y	YAR207-2RF/HV	21.71	15.38	0.66	3300	0.61	ECW207 32	
FYTWK40LTHR	FYTWK508L	YAR208-2RFGR/HV	26.13	19.10	0.80	2900	0.87	ECL208 33.5	
FYTWK50LTHR	FYTWK510L	YAR210-2RFGR/HV	29.75	23.32	0.98	2300	1.2	ECL210 42.3	

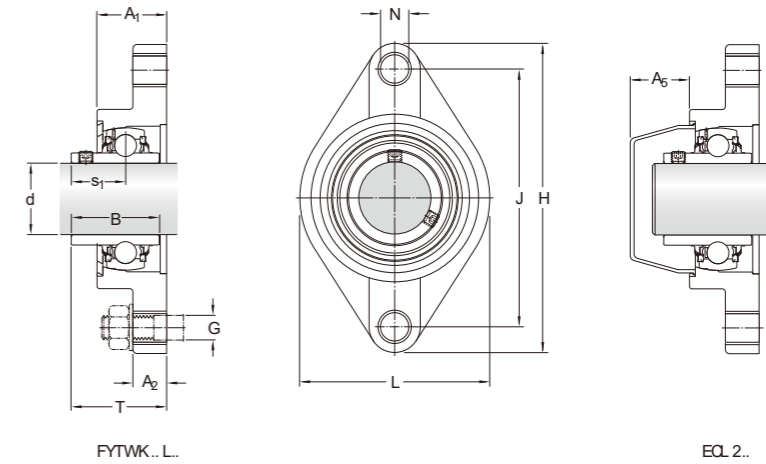
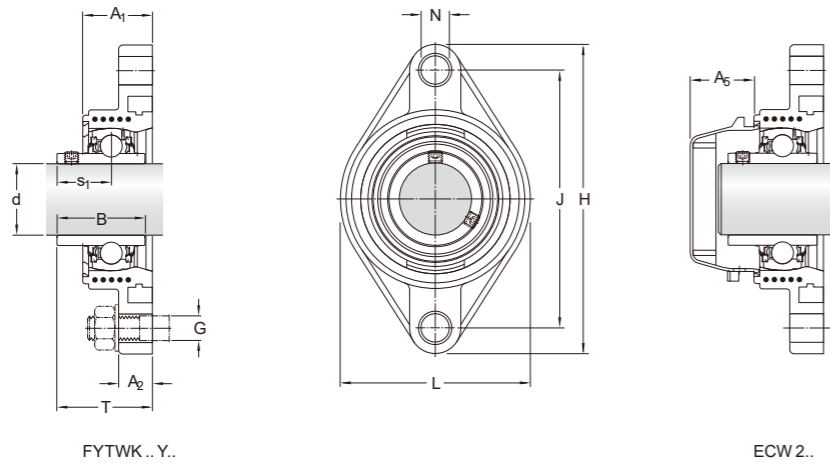
2.5 Composite KMR Food Line Y-bearing oval flanged units zinc coated bearings, metric shafts d 20 – 50 mm



Designation	Separate components		Dimensions										
			d	A ₁	A ₂	B	H	J	L	N	G	S ₁	T
-	Housing	Bearing	mm										
FYTWK20YTA	FYTWK504Y	YAR204-2RF/VE495	20	29.5	15	31	112	90	60.5	11.9	10	18.3	37.3
FYTWK25YTA	FYTWK505Y	YAR205-2RF/VE495	25	30	15	34.1	124	99	70	11.9	10	19.8	38.8
FYTWK30YTA	FYTWK506Y	YAR206-2RF/VE495	30	33	15	38.1	142.5	116.5	83	11.9	10	22.2	42.2
FYTWK35YTA	FYTWK507Y	YAR207-2RF/VE495	35	35	17	42.9	156	130	96	14.4	12	25.4	46.4
FYTWK40LTA	FYTWK508L	YAR208-2RF/VE495	40	37.5	20	49.2	175	144	100	14	12	30.2	51.7
FYTWK50LTA	FYTWK510L	YAR210-2RF/VE495	50	43	21	51.6	197	157	115	17	16	32.6	57.6

Designation	Separate components		Basic load ratings		Fatigue load limit	Limiting speed with shaft tolerance	Mass Bearing unit	Appropriate cover	
			dynamic	static				Designation End cover closed	Dimension
-	Housing	Bearing	C	C ₀	P _u	h6	-	A5	
			kN		kN	r/min	kg	mm	
FYTWK20YTA	FYTWK504Y	YAR204-2RF/VE495	12.76	6.58	0.28	5100	0.24	ECW204 26	
FYTWK25YTA	FYTWK505Y	YAR205-2RF/VE495	14.07	7.84	0.34	4400	0.29	ECW205 26	
FYTWK30YTA	FYTWK506Y	YAR206-2RF/VE495	19.60	11.26	0.48	3900	0.44	ECW206 30.5	
FYTWK35YTA	FYTWK507Y	YAR207-2RF/VE495	25.63	15.38	0.66	3300	0.61	ECW207 32	
FYTWK40LTA	FYTWK508L	YAR208-2RF/VE495	30.85	19.10	0.80	2900	0.87	ECL208 33.5	
FYTWK50LTA	FYTWK510L	YAR210-2RF/VE495	35.28	23.32	0.98	2300	1.2	ECL210 42.3	

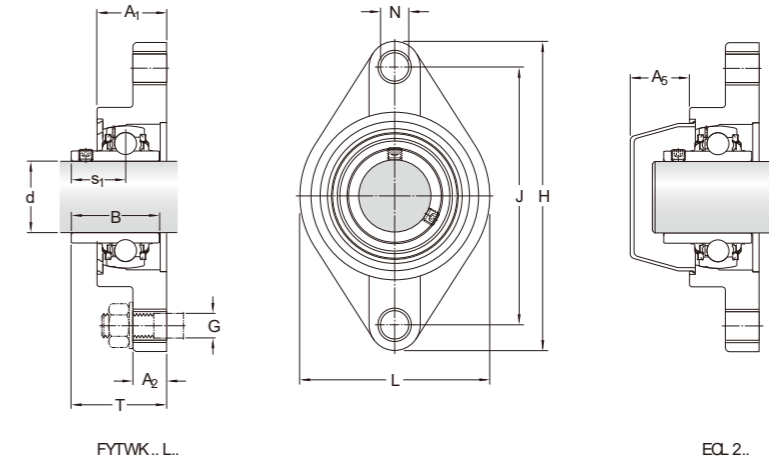
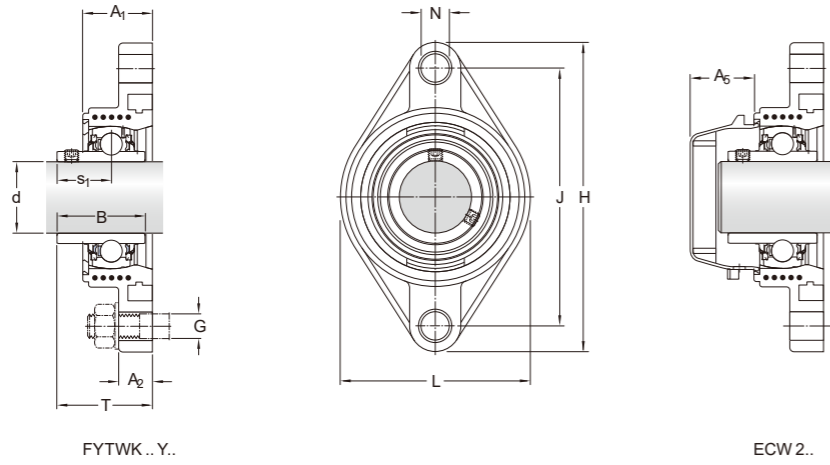
2.5 Composite KMR Food Line Y-bearing oval flanged units stainless steel bearings, inch shafts d 3/4 – 1 15/16 in .19,05 – 49,213 mm



Designation	Separate components		Dimensions										
			d	A ₁	A ₂	B	H	J	L	N	G	S ₁	T
	Housing	Bearing	mm										
FYTWK3/4YTH	FYTWK504Y	YAR204-012-2RF/HV	3/4	1.16	0.59	1.22	4.41	3.54	2.38	0.47	3/8	0.72	1.47
			19.05	29.5	15	31	112	90	60.5	11.9	10	18.3	37.3
FYTWK1.YTH	FYTWK505Y	YAR205-100-2RF/HV	1	1.18	0.59	1.34	4.88	3.9	2.76	0.47	3/8	0.78	1.53
			25.4	30	15	34.1	124	99	70	11.9	10	19.8	38.8
FYTWK1.3/16YTH	FYTWK506Y	YAR206-103-2RF/HV	1 3/16	1.3	0.59	1.5	5.61	4.59	3.27	0.47	3/8	0.87	1.66
			30,163	33	15	38.1	142.5	116.5	83	11.9	10	22.2	42.2
FYTWK1.1/4AYTH	FYTWK506Y	YAR206-104-2RF/HV	1 1/4	1.3	0.59	1.5	5.61	4.59	3.27	0.47	3/8	0.87	1.66
			31.75	33	15	38.1	142.5	116.5	83	11.9	10	22.2	42.2
FYTWK1.1/4YTH	FYTWK507Y	YAR207-104-2RF/HV		1.38	0.67	1.69	6.14	5.12	3.78	0.57	1/2	1	1.83
				35	17	42.9	156	130	96	14.4	12	25.4	46.4
FYTWK1.3/8YTH	FYTWK507Y	YAR207-106-2RF/HV	1 3/8	1.38	0.67	1.69	6.14	5.12	3.78	0.57	1/2	1	1.83
			34,925	35	17	42.9	156	130	96	14.4	12	25.4	46.4
FYTWK1.7/16YTH	FYTWK507Y	YAR207-107-2RF/HV	1 7/16	1.38	0.67	1.69	6.14	5.12	3.78	0.57	1/2	1	1.83
			36,513	35	17	42.9	156	130	96	14.4	12	25.4	46.4
FYTWK1.1/2LTHR	FYTWK508L	YAR208-108-2RFGR/HV	1 1/2	1.48	0.79	1.94	6.89	5.67	3.94	0.55	1/2	1.19	2.04
			38.1	37.5	20	49.2	175	144	100	14	12	30.2	51.7
FYTWK1.15/16LTHR	FYTWK510L	YAR210-115-2RFGR/HV	1 15/16	1.69	0.83	2.03	7.76	6.18	4.53	0.67	5/8	1.28	2.27
			49,213	43	21	51.6	197	157	115	17	16	32.6	57.6

Designation	Separate components		Basic load ratings		Fatigue load limit	Limiting speed with shaft tolerance	Mass Bearing unit	Appropriate cover	
			dynamic	static				Designation End cover closed	Dimension
	Housing	Bearing	C	C ₀	P _u	h6			A5
			kN		kN	r/min	kg	-	mm
FYTWK3/4YTH	FYTWK504Y	YAR204-012-2RF/HV	2442.15	1477.35	60.3	5100	0.53	ECW204	1.02
			10.8	6.55	0.28		0.24		26
FYTWK1.YTH	FYTWK505Y	YAR205-100-2RF/HV	2693.4	1768.8	80.4	4400	0.64	ECW205	1.02
			11.9	7.8	0.335		0.29		26
FYTWK1.3/16YTH	FYTWK506Y	YAR206-103-2RF/HV	3688.35	2532.6	110.55	3900	0.97	ECW206	1.2
			16.3	11.2	0.475		0.44		30.5
FYTWK1.1/4AYTH	FYTWK506Y	YAR206-104-2RF/HV	3688.35	2532.6	110.55	3900	0.97	ECW206	1.2
			16.3	11.2	0.475		0.44		30.5
FYTWK1.1/4YTH	FYTWK507Y	YAR207-104-2RF/HV	4884.3	3457.2	150.75	3300	1.34	ECW207	1.26
			21.6	15.3	0.655		0.61		32
FYTWK1.3/8YTH	FYTWK507Y	YAR207-106-2RF/HV	4884.3	3457.2	150.75	3300	1.34	ECW207	1.26
			21.6	15.3	0.655		0.61		32
FYTWK1.7/16YTH	FYTWK507Y	YAR207-107-2RF/HV	4884.3	3457.2	150.75	3300	1.34	ECW207	1.26
			21.6	15.3	0.655		0.61		32
FYTWK1.1/2LTHR	FYTWK508L	YAR208-108-2RFGR/HV	5879.25	4301.4	180.9	2900	1.74	ECL208	1.32
			26	19	0.8		0.79		33.5
FYTWK1.15/16LTHR	FYTWK510L	YAR210-115-2RFGR/HV	6693.3	5246.1	221.1	2300	2.64	ECL210	1.67
			29.6	23.2	0.98		1.2		42.3

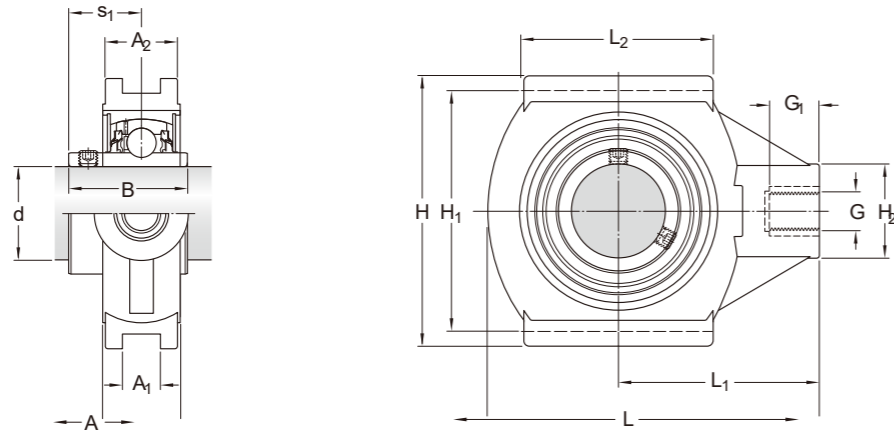
2.5 Composite KMR Food Line Y-bearing oval flanged units zinc coated bearings, inch shafts d 3/4 – 1 15/16 in .19,05 – 49,213 mm



Designation	Separate components		Dimensions										
			d	A ₁	A ₂	B	H	J	L	N	G	S ₁	T
Bearing unit	Housing	Bearing	mm										
FYTWK3/4YTA	FYTWK504Y	YAR204-012-2RF/VE495	3/4	1.16	0.59	1.22	4.41	3.54	2.38	0.47	3/8	0.72	1.47
			19.05	29.5	15	31	112	90	60.5	11.9	10	18.3	37.3
FYTWK15/16YTA	FYTWK505Y	YAR205-015-2RF/VE495	15/16	1.18	0.59	1.34	4.88	3.9	2.76	0.47	3/8	0.78	1.53
			23,813	30	15	34.1	124	99	70	11.9	10	19.8	38.8
FYTWK1.YTA	FYTWK505Y	YAR205-100-2RF/VE495	1	1.18	0.59	1.34	4.88	3.9	2.76	0.47	3/8	0.78	1.53
			25.4	30	15	34.1	124	99	70	11.9	10	19.8	38.8
FYTWK1.3/16YTA	FYTWK506Y	YAR206-103-2RF/VE495	1 3/16	1.3	0.59	1.5	5.61	4.59	3.27	0.47	3/8	0.87	1.66
			30,163	33	15	38.1	142.5	116.5	83	11.9	10	22.2	42.2
FYTWK1.1/4AYTA	FYTWK506Y	YAR206-104-2RF/VE495	1 1/4	1.3	0.59	1.5	5.61	4.59	3.27	0.47	3/8	0.87	1.66
			31.75	33	15	38.1	142.5	116.5	83	11.9	10	22.2	42.2
FYTWK1.1/4YTA	FYTWK507Y	YAR207-104-2RF/VE495		1.38	0.67	1.69	6.14	5.12	3.78	0.57	1/2	1	1.83
				35	17	42.9	156	130	96	14.4	12	25.4	46.4
FYTWK1.3/8YTA	FYTWK507Y	YAR207-106-2RF/VE495	1 3/8	1.38	0.67	1.69	6.14	5.12	3.78	0.57	1/2	1	1.83
			34,925	35	17	42.9	156	130	96	14.4	12	25.4	46.4
FYTWK1.7/16YTA	FYTWK507Y	YAR207-107-2RF/VE495	1 7/16	1.38	0.67	1.69	6.14	5.12	3.78	0.57	1/2	1	1.83
			36,513	35	17	42.9	156	130	96	14.4	12	25.4	46.4
FYTWK1.1/2LTA	FYTWK508L	YAR208-108-2RF/VE495	1 1/2	1.48	0.79	1.94	6.89	5.67	3.94	0.55	1/2	1.19	2.04
			38.1	37.5	20	49.2	175	144	100	14	12	30.2	51.7
FYTWK1.15/16LTA	FYTWK510L	YAR210-115-2RF/VE495	1 15/16	1.69	0.83	2.03	7.76	6.18	4.53	0.67	5/8	1.28	2.27
			49,213	43	21	51.6	197	157	115	17	16	32.6	57.6

Designation	Separate components		Basic load ratings		Fatigue load limit	Limiting speed with shaft tolerance	Mass Bearing unit	Appropriate cover	
			dynamic	static				Designation END cover closed	Dimension
Bearing unit	Housing	Bearing	C	C ₀	P _u	h6	kg	-	A5
-	-	-	kN		kN	r/min	-	-	mm
FYTWK3/4YTA	FYTWK504Y	YAR204-012-2RF/VE495	2874.3	1477.35	60.3	5100	0.53	ECW204	1.02
			12.7	6.55	0.28		0.24		26
FYTWK15/16YTA	FYTWK505Y	YAR205-015-2RF/VE495	3165.75	1768.8	80.4	4400	0.71	ECW205	1.02
			14	7.8	0.335		0.32		26
FYTWK1.YTA	FYTWK505Y	YAR205-100-2RF/VE495	3165.75	1768.8	80.4	4400	0.64	ECW205	1.02
			14	7.8	0.335		0.29		26
FYTWK1.3/16YTA	FYTWK506Y	YAR206-103-2RF/VE495	4411.95	2532.6	110.55	3900	0.97	ECW206	1.2
			19.5	11.2	0.475		0.44		30.5
FYTWK1.1/4AYTA	FYTWK506Y	YAR206-104-2RF/VE495	4411.95	2532.6	110.55	3900	0.97	ECW206	1.2
			19.5	11.2	0.475		0.44		30.5
FYTWK1.1/4YTA	FYTWK507Y	YAR207-104-2RF/VE495	5768.7	3457.2	150.75	3300	1.34	ECW207	1.26
			25.5	15.3	0.655		0.61		32
FYTWK1.3/8YTA	FYTWK507Y	YAR207-106-2RF/VE495	5768.7	3457.2	150.75	3300	1.34	ECW207	1.26
			25.5	15.3	0.655		0.61		32
FYTWK1.7/16YTA	FYTWK507Y	YAR207-107-2RF/VE495	5768.7	3457.2	150.75	3300	1.34	ECW207	1.26
			25.5	15.3	0.655		0.61		32
FYTWK1.1/2LTA	FYTWK508L	YAR208-108-2RF/VE495	6944.55	4301.4	180.9	2900	1.74	ECL208	1.32
			30.7	19	0.8		0.79		33.5
FYTWK1.15/16LTA	FYTWK510L	YAR210-115-2RF/VE495	7939.5	5246.1	221.1	2300	2.65	ECL210	1.67
			35.1	23.2	0.98		1.2		42.3

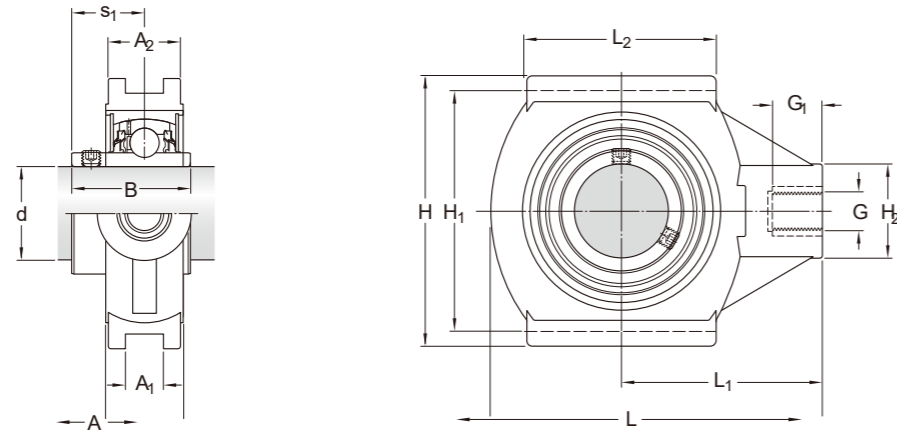
2.6 Composite SKF Food Line Y-bearing take up units stainless steel bearings, metric shafts d 20 – 50 mm



Designation	Separate components		Dimensions													
			d	A	A ₁	A ₂	B	H	H ₁	H ₂	L	L ₁	L ₂	G	G ₁	S ₁
-	Housing	Bearing	mm													
TUWK20LTHR	TUWK504L	YAR204-2RFGR/HV	20	27.5	12	24.5	31	89	76	36	99	64	46	M16	21	18.3
TUWK25LTHR	TUWK505L	YAR205-2RFGR/HV	25	27.5	12	24.5	34.1	89	76	36	99	64	46	M16	21	19.8
TUWK30LTHR	TUWK506L	YAR206-2RFGR/HV	30	34	12	30	38.1	102.5	89	40	125	76	63.5	M16	21	22.2
TUWK35LTHR	TUWK507L	YAR207-2RFGR/HV	35	34	12	30	42.9	102.5	89	40	125	76	63.5	M16	21	25.4
TUWK40LTHR	TUWK508L	YAR208-2RFGR/HV	40	34	16	32	49.2	114	102	40	140	85	80	M16	21	30.2
TUWK50LTHR	TUWK510L	YAR210-2RFGR/HV	50	38	16	36	51.6	117	102	50	149	90	85.5	M20	25	32.6

Designation	Separate components		Basic load ratings		Fatigue load limit	Limiting speed with shaft tolerance	Mass Bearing unit	Appropriate cover	
			dynamic	static				Designation	Dimension
-	Housing	Bearing	C	C ₀	P _u	h6	-	A5	
			kN		kN	r/min	kg	mm	
TUWK20LTHR	TUWK504L	YAR204-2RFGR/HV	10.8	6.55	0.28	5000	0.33	ECL204 20.3	
TUWK25LTHR	TUWK505L	YAR205-2RFGR/HV	11.9	7.8	0.335	4300	0.38	ECL205 22.3	
TUWK30LTHR	TUWK506L	YAR206-2RFGR/HV	16.3	11.2	0.475	3800	0.61	ECL206 26.5	
TUWK35LTHR	TUWK507L	YAR207-2RFGR/HV	21.6	15.3	0.655	3200	0.74	ECL207 28.2	
TUWK40LTHR	TUWK508L	YAR208-2RFGR/HV	26	19	0.8	2800	0.89	ECL208 33.6	
TUWK50LTHR	TUWK510L	YAR210-2RFGR/HV	29.6	23.2	0.98	2200	1.14	ECL210 43	

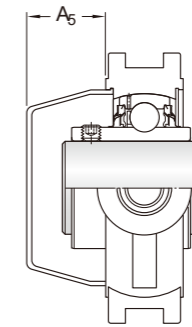
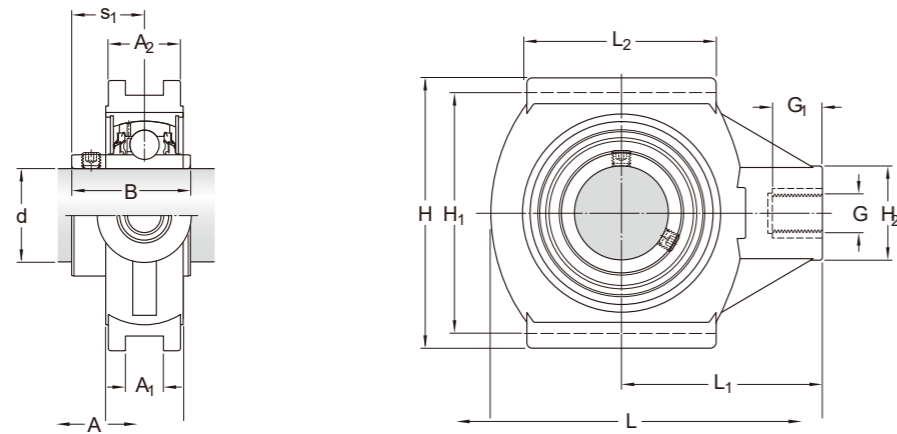
2.6 Composite SKF Food Line Y-bearing take up units zinc coated bearings, metric shafts d 20 – 50 mm



Designation	Separate components		Dimensions														
			d	A	A ₁	A ₂	B	H	H ₁	H ₂	L	L ₁	L ₂	G	G ₁	S ₁	
-	Housing	Bearing	mm														
TUWK20LTA	TUWK504L	YAR204-2RF/VE495	20	27.5	12	24.5	31	89	76	36	99	64	46	M16	21	18.3	
TUWK25LTA	TUWK505L	YAR205-2RF/VE495	25	27.5	12	24.5	34.1	89	76	36	99	64	46	M16	21	19.8	
TUWK30LTA	TUWK506L	YAR206-2RF/VE495	30	34	12	30	38.1	102.5	89	40	125	76	63.5	M16	21	22.2	
TUWK35LTA	TUWK507L	YAR207-2RF/VE495	35	34	12	30	42.9	102.5	89	40	125	76	63.5	M16	21	25.4	
TUWK40LTA	TUWK508L	YAR208-2RF/VE495	40	34	16	32	49.2	114	102	40	140	85	80	M16	21	30.2	
TUWK50LTA	TUWK510L	YAR210-2RF/VE495	50	38	16	36	51.6	117	102	50	149	90	85.5	M20	25	32.6	

Designation	Separate components		Basic load ratings		Fatigue load limit	Limiting speed with shaft tolerance	Mass Bearing unit	Appropriate cover	
			dynamic	static				Designation	Dimension
-	Housing	Bearing	C	C ₀	P _u	h6	-	A5	
			kN		kN	r/min	kg	mm	
TUWK20LTA	TUWK504L	YAR204-2RF/VE495	12.7	6.55	0.28	5000	0.33	ECL204 20.3	
TUWK25LTA	TUWK505L	YAR205-2RF/VE495	14	7.8	0.335	4300	0.38	ECL205 22.3	
TUWK30LTA	TUWK506L	YAR206-2RF/VE495	19.5	11.2	0.475	3800	0.61	ECL206 26.5	
TUWK35LTA	TUWK507L	YAR207-2RF/VE495	25.5	15.3	0.655	3200	0.74	ECL207 28.2	
TUWK40LTA	TUWK508L	YAR208-2RF/VE495	30.7	19	0.8	2800	0.89	ECL208 33.6	
TUWK50LTA	TUWK510L	YAR210-2RF/VE495	35.1	23.2	0.98	2200	1.14	ECL210 43	

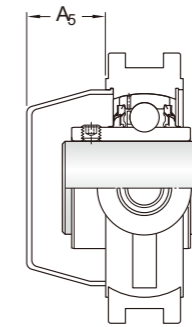
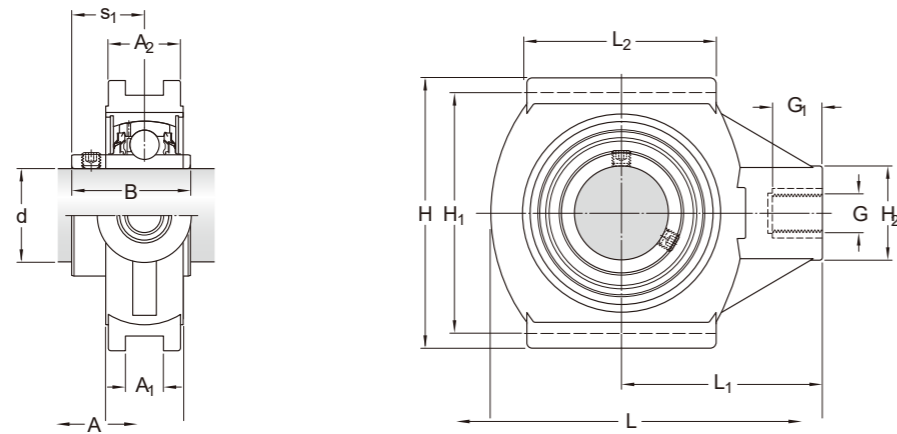
2.6 Composite KMR Food Line Y-bearing take up units stainless steel bearings, inch shafts d 3/4 – 1 15/16 in .19,05 – 49,213 mm



Designation	Separate components		Dimensions													
			d	A	A ₁	A ₂	B	H	H ₁	H ₂	L	L ₁	L ₂	G	G ₁	S ₁
Bearing unit	Housing	Bearing	in./mm													
TUWK3/4LTHR	TUWK504L	YAR204-012-2RFGR/HV	3/4	1.08	0.47	0.96	1.22	3.5	2.99	1.42	3.9	2.52	1.81	M16	0.83	0.72
			19.05	27.5	12	24.5	31	89	76	36	99	64	46	M16	21	18.3
TUWK1.LTHR	TUWK505L	YAR205-100-2RFGR/HV	1	1.08	0.47	0.96	1.34	3.5	2.99	1.42	3.9	2.52	1.81	M16	0.83	0.78
			25.4	27.5	12	24.5	34.1	89	76	36	99	64	46	M16	21	19.8
TUWK1.3/16LTHR	TUWK506L	YAR206-103-2RFGR/HV	1 3/16	1.34	0.47	1.18	1.5	4.04	3.5	1.57	4.92	2.99	2.5	M16	0.83	0.87
			30,163	34	12	30	38.1	102.5	89	40	125	76	63.5	M16	21	22.2
TUWK1.1/4LTHR	TUWK506L	YAR206-104-2RFGR/HV	1 1/4	1.34	0.47	1.18	1.69	4.04	3.5	1.57	4.92	2.99	2.5	M16	0.83	1
			31.75	34	12	30	42.9	102.5	89	40	125	76	63.5	M16	21	25.4
TUWK1.1/4LTHR	TUWK507L	YAR207-104-2RFGR/HV	1 1/4	1.34	0.47	1.18	1.69	4.04	3.5	1.57	4.92	2.99	2.5	M16	0.83	1
			31.75	34	12	30	42.9	102.5	89	40	125	76	63.5	M16	21	25.4
TUWK1.3/8LTHR	TUWK507L	YAR207-106-2RFGR/HV	1 3/8	1.34	0.47	1.18	1.69	4.04	3.5	1.57	4.92	2.99	2.5	M16	0.83	1
			34,925	34	12	30	42.9	102.5	89	40	125	76	63.5	M16	21	25.4
TUWK1.7/16LTHR	TUWK507L	YAR207-107-2RFGR/HV	1 7/16	1.34	0.47	1.18	1.69	4.04	3.5	1.57	4.92	2.99	2.5	M16	0.83	1
			36,513	34	12	30	42.9	102.5	89	40	125	76	63.5	M16	21	25.4
TUWK1.1/2LTHR	TUWK508L	YAR208-108-2RFGR/HV	1 1/2	1.34	0.63	1.26	1.94	4.49	4.01	1.57	5.51	3.35	3.15	M16	0.83	1.19
			38.1	34	16	32	49.2	114	102	40	140	85	80	M16	21	30.2
TUWK1.15/16LTHR	TUWK510L	YAR210-115-2RFGR/HV	1 15/16	1.5	0.63	1.42	2.03	4.61	4.01	1.97	5.86	3.54	3.37	M20	0.98	1.28
			49,213	38	16	36	51.6	117	102	50	149	90	85.5	M20	25	32.6

Designation	Separate components		Basic load ratings		Fatigue load limit	Limiting speed with shaft tolerance	Mass Bearing unit	Appropriate cover	
			dynamic	static				Designation	Dimension
Bearing unit	Housing	Bearing	C	C ₀	P _u	h6	lb/kg	-	A5
-	-	-	lb/kN		lb/kN	r/min	-	-	in./mm
TUWK3/4LTHR	TUWK504L	YAR204-012-2RFGR/HV	2442.15	1477.35	60.3	5100	0.77	ECL204	0.8
			10.8	6.55	0.28		0.35		20.3
TUWK1.LTHR	TUWK505L	YAR205-100-2RFGR/HV	2693.4	1768.8	80.4	4400	0.86	ECL205	0.87
			11.9	7.8	0.335		0.39		22.3
TUWK1.3/16LTHR	TUWK506L	YAR206-103-2RFGR/HV	3688.35	2532.6	110.55	3900	1.34	ECL206	1.04
			16.3	11.2	0.475		0.61		26.5
TUWK1.1/4LTHR	TUWK506L	YAR206-104-2RFGR/HV	4884.3	3457.2	110.55	3900	1.34	ECL206	1.04
			21.6	15.3	0.655		0.61		26.5
TUWK1.1/4LTHR	TUWK507L	YAR207-104-2RFGR/HV	4884.3	3457.2	110.55	3300	1.85	ECL207	1.11
			21.6	15.3	0.655		0.84		28.2
TUWK1.3/8LTHR	TUWK507L	YAR207-106-2RFGR/HV	4884.3	3457.2	110.55	3300	1.62	ECL207	1.11
			21.6	15.3	0.655		0.74		28.2
TUWK1.7/16LTHR	TUWK507L	YAR207-107-2RFGR/HV	4884.3	3457.2	110.55	3300	1.68	ECL207	1.11
			21.6	15.3	0.655		0.76		28.2
TUWK1.1/2LTHR	TUWK508L	YAR208-108-2RFGR/HV	5879.25	4301.4	180.9	2900	1.96	ECL208	1.32
			26	19	0.8		0.89		33.6
TUWK1.15/16LTHR	TUWK510L	YAR210-115-2RFGR/HV	6090.3	5246.1	221.1	2300	2.71	ECL210	1.69
			29.6	23.2	0.98		1.23		43

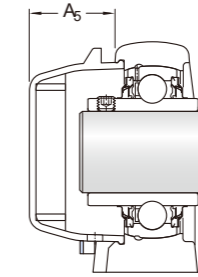
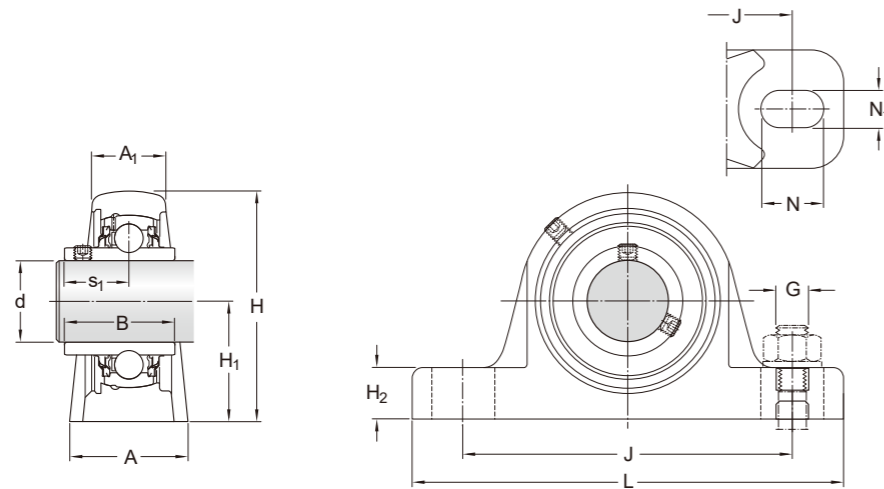
2.6 Composite KMR Food Line Y-bearing take up units zinc coated bearings, inch shafts d 3/4 – 1 15/16 in .19,05 – 49,213 mm



Designation	Separate components		Dimensions													
			d	A	A ₁	A ₂	B	H	H ₁	H ₂	L	L ₁	L ₂	G	G ₁	S ₁
Bearing unit	Housing	Bearing	in /mm													
TUWK3/4LTA	TUWK504L	YAR204-012-2RF/VE495	3/4	1.08	0.47	0.96	1.22	3.5	2.99	1.42	3.9	2.52	1.81	M16	0.83	0.72
			19.05	27.5	12	24.5	31	89	76	36	99	64	46	M16	21	18.3
TUWK15/16LTA	TUWK505L	YAR205-015-2RF/VE495	15/16	1.08	0.47	0.96	1.34	3.5	2.99	1.42	3.9	2.52	1.81	M16	0.83	0.78
			23.81	27.5	12	24.5	34.1	89	76	36	99	64	46	M16	21	19.8
TUWK1.LTA	TUWK505L	YAR205-100-2RF/VE495	1	1.08	0.47	0.96	1.34	3.5	2.99	1.42	3.9	2.52	1.81	M16	0.83	0.78
			25.4	27.5	12	24.5	34.1	89	76	36	99	64	46	M16	21	19.8
TUWK1.3/16LTA	TUWK506L	YAR206-103-2RF/VE495	1 3/16	1.34	0.47	1.18	1.5	4.04	3.5	1.57	4.92	2.99	2.5	M16	0.83	0.87
			30,163	34	12	30	38.1	102.5	89	40	125	76	63.5	M16	21	22.2
TUWK1.1/4ALTA	TUWK506L	YAR206-104-2RF/VE495	1 1/4	1.34	0.47	1.18	1.5	4.04	3.5	1.57	4.92	2.99	2.5	M16	0.83	0.87
			31.75	34	12	30	38.1	102.5	89	40	125	76	63.5	M16	21	22.2
TUWK1.1/4LTA	TUWK507L	YAR207-104-2RF/VE495	1 1/4	1.34	0.47	1.18	1.69	4.04	3.5	1.57	4.92	2.99	2.5	M16	0.83	1
			31.75	34	12	30	42.9	102.5	89	40	125	76	63.5	M16	21	25.4
TUWK1.3/8LTA	TUWK507L	YAR207-106-2RF/VE495	1 3/8	1.34	0.47	1.18	1.69	4.04	3.5	1.57	4.92	2.99	2.5	M16	0.83	1
			34,925	34	12	30	42.9	102.5	89	40	125	76	63.5	M16	21	25.4
TUWK1.7/16LTA	TUWK507L	YAR207-107-2RF/VE495	1 7/16	1.34	0.47	1.18	1.69	4.04	3.5	1.57	4.92	2.99	2.5	M16	0.83	1
			36,513	34	12	30	42.9	102.5	89	40	125	76	63.5	M16	21	25.4
TUWK1.1/2LTA	TUWK508L	YAR208-108-2RF/VE495	1 1/2	1.34	0.63	1.26	1.94	4.49	4.01	1.57	5.51	3.35	3.15	M16	0.83	1.19
			38.1	34	16	32	49.2	114	102	40	140	85	80	M16	21	30.2
TUWK1.15/16LTA	TUWK510L	YAR210-115-2RF/VE495	1 15/16	1.5	0.63	1.38	2.03	4.61	4.01	1.97	5.86	3.54	3.37	M20	0.98	1.28
			49,213	38	16	36	51.6	117	102	50	149	90	85.5	M20	25	32.6

Designation	Separate components		Basic load ratings		Fatigue load limit	Limiting speed with shaft tolerance	Mass Bearing unit	Appropriate cover	
			dynamic	static				Designation	Dimension
Bearing unit	Housing	Bearing	C	C ₀	P _u	h6	lb/kg	-	A5
-	-	-	lbf/kN		lbf/kN	r/min	-	-	in./mm
TUWK3/4LTA	TUWK504L	YAR204-012-2RF/VE495	2874.3	1477.35	60.3	5100	0.77	ECL204	0.8
			12.7	6.55	0.28		0.35		20.3
TUWK15/16LTA	TUWK505L	YAR205-015-2RF/VE495	3165.75	1768.8	80.4	4400	0.9	ECL205	0.87
			14	7.8	0.335		0.41		22.3
TUWK1.LTA	TUWK505L	YAR205-100-2RF/VE495	3165.75	1768.8	80.4	4400	0.86	ECL205	0.87
			14	7.8	0.335		0.39		22.3
TUWK1.3/16LTA	TUWK506L	YAR206-103-2RF/VE495	4411.95	2532.6	110.55	3900	1.34	ECL206	1.04
			19.5	11.2	0.475		0.61		26.5
TUWK1.1/4ALTA	TUWK506L	YAR206-104-2RF/VE495	4411.95	2532.6	110.55	3900	1.34	ECL206	1.04
			19.5	11.2	0.475		0.61		26.5
TUWK1.1/4LTA	TUWK507L	YAR207-104-2RF/VE495	5768.7	3457.2	150.75	3300	1.85	ECL207	1.11
			25.5	15.3	0.655		0.84		28.2
TUWK1.3/8LTA	TUWK507L	YAR207-106-2RF/VE495	5768.7	3457.2	150.75	3300	1.62	ECL207	1.11
			25.5	15.3	0.655		0.74		28.2
TUWK1.7/16LTA	TUWK507L	YAR207-107-2RF/VE495	5768.7	3457.2	150.75	3300	1.68	ECL207	1.11
			25.5	15.3	0.655		0.76		28.2
TUWK1.1/2LTA	TUWK508L	YAR208-108-2RF/VE495	6944.55	4301.4	180.9	2900	1.96	ECL208	1.32
			30.7	19	0.8		0.89		33.6
TUWK1.15/16LTA	TUWK510L	YAR210-115-2RF/VE495	7939.5	5246.1	221.1	2300	2.71	ECL210	1.69
			35.1	23.2	0.98		1.23		43

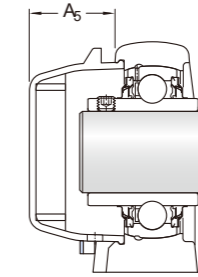
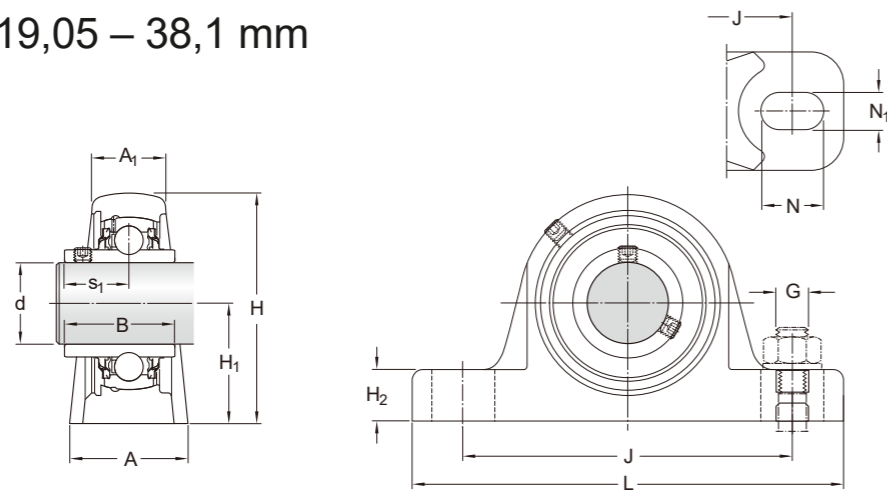
2.7 Stainless steel KMR Food Line Y-bearing plummer block units stainless steel bearings, metric shafts d 20 – 40 mm



Designation	Separate components		Dimensions															
			d	A	A ₁	B	H	H ₁	H ₂	J	L	N	N ₁	G	S ₁			
Bearing unit	Housing	Bearing	mm															
-																		
SYWR20YTHR	SYWR504Y	YAR204-2RFGR/HV	20	31.7	23	31	63.5	33.3	13.9	96.8	127	21	11.5	10	18.3			
SYWR25YTHR	SYWR505Y	YAR205-2RFGR/HV	25	36.5	24.5	34.1	69.9	36.5	15.9	101.7	133.3	19.5	11.5	10	19.8			
SYWR30YTHR	SYWR506Y	YAR206-2RFGR/HV	30	39.7	28	38.1	82.1	42.9	16.7	117.5	152.4	23.8	14.3	12	22.2			
SYWR35YTHR	SYWR507Y	YAR207-2RFGR/HV	35	44.4	29	42.9	92.9	47.6	19	126.2	160.4	21.5	14.3	12	25.4			
SYWR40YTHR	SYWR508Y	YAR208-2RFGR/HV	40	47.6	33	49.2	99.2	49.2	19	135.7	174.6	24.6	14.3	12	30.2			

Designation	Separate components		Basic load ratings		Fatigue load limit	Limiting speed with shaft tolerance	Mass Bearing unit	Appropriate cover	
			dynamic	static				Designation End cover closed	Dimension
Bearing unit	Housing	Bearing	C	C ₀	P _u	h6	kg	-	A5
-			kN		kN	r/min			mm
SYWR20YTHR	SYWR504Y	YAR204-2RFGR/HV	10.85	6.58	0.28	5100	0.6	ECW204	25.2
SYWR25YTHR	SYWR505Y	YAR205-2RFGR/HV	11.96	7.84	0.34	4400	0.81	ECW205	25.2
SYWR30YTHR	SYWR506Y	YAR206-2RFGR/HV	16.38	11.26	0.48	3900	1.22	ECW206	29.5
SYWR35YTHR	SYWR507Y	YAR207-2RFGR/HV	21.71	15.38	0.66	3300	1.65	ECW207	31.1
SYWR40YTHR	SYWR508Y	YAR208-2RFGR/HV	26.13	19.10	0.80	2900	1.99	ECW208	30.6

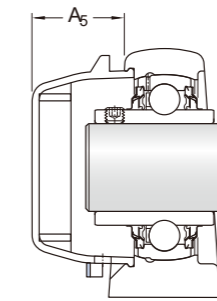
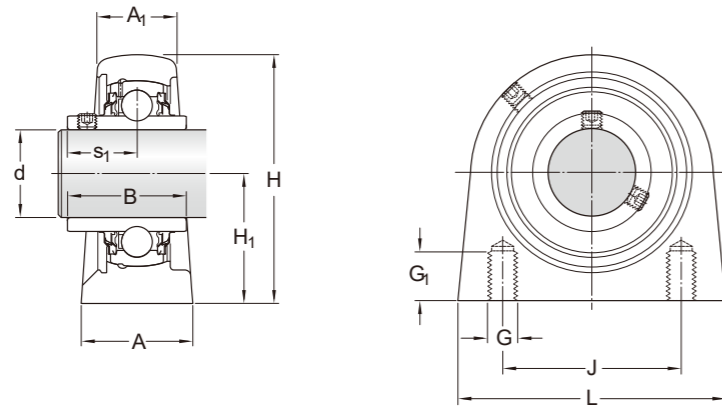
2.7 Stainless steel KMR Food Line Y-bearing plummer block units stainless steel bearings, inch shafts d 3/4 – 1 1/2 in .19,05 – 38,1 mm



Designation	Separate components		Dimensions													
			d	A	A ₁	B	H	H ₁	H ₂	J	L	N	N ₁	G	S ₁	
Bearing unit	Housing	Bearing	in./mm													
-	SYWR3/4YTHR	SYWR504Y	YAR204-012-2RFGR/HV	3/4	1.25	0.91	1.22	2.5	1.31	0.54	3.81	4.99	0.82	0.45	3/8	0.72
				19.05	31.7	23	31	63.5	33.3	13.9	96.8	127	21	11.5	10	18.3
-	SYWR1.YTHR	SYWR505Y	YAR205-100-2RFGR/HV	1	1.43	0.96	1.34	2.75	1.44	0.63	4	5.24	0.77	0.45	3/8	0.78
				25.4	36.5	24.5	34.1	69.9	36.5	15.9	101.7	133.3	19.5	11.5	10	19.8
-	SYWR1.3/16YTHR	SYWR506Y	YAR206-103-2RFGR/HV	1 3/16	1.56	1.1	1.5	3.23	1.69	0.66	4.63	6	0.94	0.56	1/2	0.88
				30,163	39.7	28	38.1	82.1	42.9	16.7	117.5	152.4	23.8	14.3	12	22.2
-	SYWR1.1/4AYTHR	SYWR506Y	YAR206-104-2RFGR/HV	1 1/4	1.56	1.1	1.5	3.23	1.69	0.66	4.63	6	0.94	0.56	1/2	0.87
				31.75	39.7	28	38.1	82.1	42.9	16.7	117.5	152.4	23.8	14.3	12	22.2
-	SYWR1.1/4YTHR	SYWR507Y	YAR207-104-2RFGR/HV	1 1/4	1.75	1.14	1.69	3.66	1.88	0.75	4.97	6.31	0.85	0.56	1/2	1
				31.75	44.4	29	42.9	92.9	47.6	19	126.2	160.4	21.5	14.3	12	25.4
-	SYWR1.3/8YTHR	SYWR507Y	YAR207-106-2RFGR/HV	1 3/8	1.75	1.14	1.69	3.66	1.88	0.75	4.97	6.31	0.85	0.56	1/2	1
				34,925	44.5	29	42.9	92.9	47.6	19	126.2	160.4	21.5	14.3	12	25.4
-	SYWR1.7/16YTHR	SYWR507Y	YAR207-107-2RFGR/HV	1 7/16	1.75	1.14	1.69	3.66	1.88	0.75	4.97	6.31	0.85	0.56	1/2	1
				36,513	44.5	29	42.9	92.9	47.6	19	126.2	160.4	21.5	14.3	12	25.4
-	SYWR1.1/2YTHR	SYWR508Y	YAR208-108-2RFGR/HV	1 1/2	1.88	1.3	1.94	3.91	1.94	0.75	5.34	6.875	0.969	0.563	1/2	1.19
				38.1	47.6	33	49.2	99.2	49.2	19	135.7	174.6	24.6	14.3	12	30.2

Designation	Separate components		Basic load ratings		Fatigue load limit	Limiting speed with shaft tolerance h6	Mass Bearing unit	Appropriate cover		
			dynamic	static				Designation End cover closed	Dimension	
Bearing unit	Housing	Bearing	C	C ₀	P _u	r/min	lb/kg	-	A5	
-	-	-	lbf/kN		kN	-	-	-	mm	
-	SYWR3/4YTHR	SYWR504Y	YAR204-012-2RFGR/HV	2442.15	1477.35	60.3	5100	1.32	ECW204	0.99
				10.8	6.55	0.28	0.6	25.2		
-	SYWR1.YTHR	SYWR505Y	YAR205-100-2RFGR/HV	2693.4	1768.8	80.4	4400	1.79	ECW205	0.99
				11.9	7.8	0.335	0.81	25.2		
-	SYWR1.3/16YTHR	SYWR506Y	YAR206-103-2RFGR/HV	3688.35	2532.6	110.55	3900	2.69	ECW206	1.16
				16.3	11.2	0.475	1.22	29.5		
-	SYWR1.1/4AYTHR	SYWR506Y	YAR206-104-2RFGR/HV	3688.35	2532.6	110.55	3900	2.69	ECW206	1.16
				16.3	11.2	0.475	1.22	29.5		
-	SYWR1.1/4YTHR	SYWR507Y	YAR207-104-2RFGR/HV	4884.3	3457.2	150.75	3300	3.64	ECW207	1.22
				21.6	15.3	0.655	1.65	31.1		
-	SYWR1.3/8YTHR	SYWR507Y	YAR207-106-2RFGR/HV	4884.3	3457.2	150.75	3300	3.64	ECW207	1.22
				21.6	15.3	0.655	1.65	31.1		
-	SYWR1.7/16YTHR	SYWR507Y	YAR207-107-2RFGR/HV	4884.3	3457.2	150.75	3300	3.64	ECW207	1.22
				21.6	15.3	0.655	1.65	31.1		
-	SYWR1.1/2YTHR	SYWR508Y	YAR208-108-2RFGR/HV	5879.25	4301.4	180.9	2900	4.39	ECW208	1.2
				26	19	0.8	1.99	30.6		

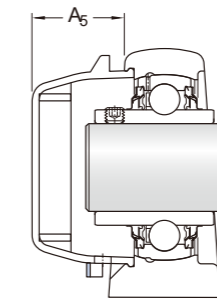
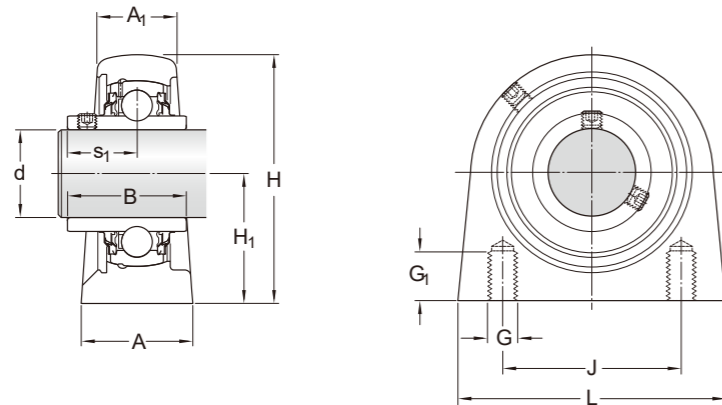
2.8 Stainless steel KMR Food Line Y-bearing short base plummer block units stainless steel bearings, metric shafts d 20 – 40 mm



Designation	Separate components		Dimensions										
			d	A	A ₁	B	H	H ₁	J	L	G	G ₁	S ₁
-	Housing	Bearing	mm										
SYFWR20YTHR	SYFWR504Y	YAR204-2RFGR/HV	20	28.6	23	31	63.5	33.3	50.8	66.7	M10	13	18.3
SYFWR25YTHR	SYFWR505Y	YAR205-2RFGR/HV	25	31.7	24.5	34.1	69.9	36.5	50.8	76.2	M10	13	19.8
SYFWR30YTHR	SYFWR506Y	YAR206-2RFGR/HV	30	38.1	28	38.1	82.6	42.9	76.2	98.4	M10	16	22.2
SYFWR35YTHR	SYFWR507Y	YAR207-2RFGR/HV	35	38.1	29	42.9	92.1	47.6	82.6	104.8	M12	19	25.4
SYFWR40YTHR	SYFWR508Y	YAR208-2RFGR/HV	40	41.3	33	49.2	100	49.2	88.9	114.3	M12	19	30.2

Designation	Separate components		Basic load ratings		Fatigue load limit	Limiting speed with shaft tolerance	Mass Bearing unit	Appropriate cover	
			dynamic	static				Designation END cover closed	Dimension
-	Housing	Bearing	C	C ₀	P _u	h6			A5
			lbf/kN		kN	r/min	kg	-	mm
SYFWR20YTHR	SYFWR504Y	YAR204-2RFGR/HV	10.85	6.58	0.28	5100	0.45	ECW204	25.2
SYFWR25YTHR	SYFWR505Y	YAR205-2RFGR/HV	11.96	7.84	0.34	4400	0.6	ECW205	25.3
SYFWR30YTHR	SYFWR506Y	YAR206-2RFGR/HV	16.38	11.26	0.48	3900	1.05	ECW206	29.4
SYFWR35YTHR	SYFWR507Y	YAR207-2RFGR/HV	21.71	15.38	0.66	3300	1.27	ECW207	31
SYFWR40YTHR	SYFWR508Y	YAR208-2RFGR/HV	26.13	19.10	0.80	2900	1.66	ECW208	32

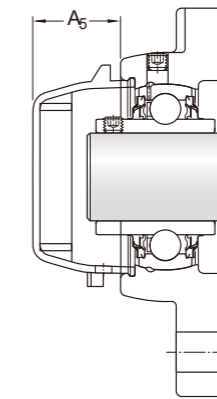
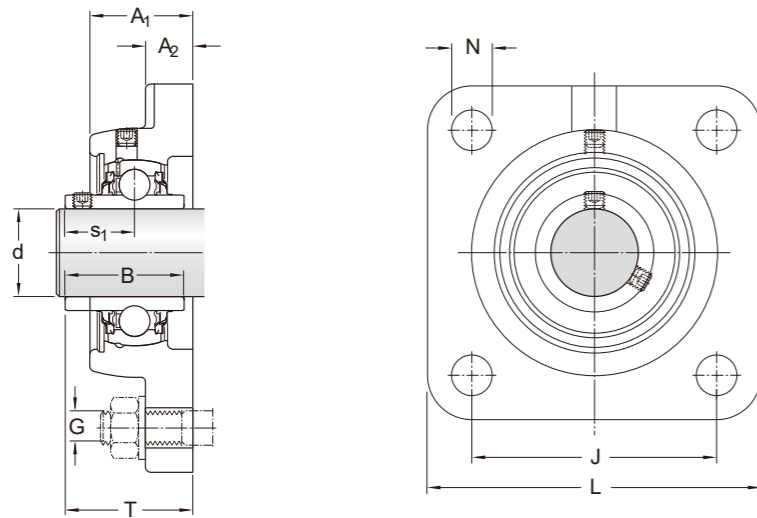
2.8 Stainless steel KMR Food Line Y-bearing plummer block units stainless steel bearings, inch shafts d 3/4 – 1 1/2 in .19,05 – 38,1 mm



Designation	Separate components		Dimensions										
			d	A	A ₁	B	H	H ₁	J	L	G	G ₁	S ₁
-	Housing	Bearing	mm										
SYFWR3/4YZTHR	SYFWR504YZ	YAR204-012-2RFGR/HV	3/4	1.13	0.91	1.22	2.5	1.31	2	2.63	3/8-16	0.5	0.72
			19.05	28.6	23	31	63.5	33.3	50.8	66.7	13	18.3	10.8
SYFWR1.YZTHR	SYFWR505YZ	YAR205-100-2RFGR/HV	1	1.25	0.96	1.34	2.75	1.44	2	3	3/8-16	0.5	0.78
			25.4	31.7	24.5	34.1	69.9	36.5	50.8	76.2	13	19.8	11.9
SYFWR1.3/16YZTHR	SYFWR506YZ	YAR206-103-2RFGR/HV	1 3/16	1.5	1.1	1.5	3.25	1.69	3	3.87	7/16-14	0.63	0.87
			30,163	38.1	28	38.1	82.6	42.9	76.2	98.4	16	22.2	16.3
SYFWR1.1/4AYZTHR	SYFWR506YZ	YAR206-104-2RFGR/HV	1 1/4	1.5	1.1	1.5	3.25	1.69	3	3.87	7/16-14	0.63	0.87
			31.75	38.1	28	38.1	82.6	42.9	76.2	98.4	16	22.2	16.3
SYFWR1.1/4YZTHR	SYFWR507YZ	YAR207-104-2RFGR/HV	1 1/4	1.5	1.14	1.69	3.63	1.87	3.25	4.13	1/2-13	0.75	1
			31.75	38.1	29	42.9	92.1	47.6	82.6	104.8	19	25.4	21.6
SYFWR1.3/8YZTHR	SYFWR507YZ	YAR207-106-2RFGR/HV	1 3/8	1.5	1.14	1.69	3.63	1.87	3.25	4.13	1/2-13	0.75	1
			34,925	38.1	29	42.9	92.1	47.6	82.6	104.8	19	25.4	21.6
SYFWR1.7/16YZTHR	SYFWR507YZ	YAR207-107-2RFGR/HV	1 7/16	1.5	1.14	1.69	3.63	1.87	3.25	4.13	1/2-13	0.75	1
			36,513	38.1	29	42.9	92.1	47.6	82.6	104.8	19	25.4	21.6
SYFWR1.1/2YZTHR	SYFWR508YZ	YAR208-108-2RFGR/HV	1 1/2	1.63	1.3	1.94	3.94	1.94	3.5	4.5	1/2-13	0.75	1.19
			38.1	41.3	33	49.2	100	49.2	88.9	114.3	19	30.2	26

Designation	Separate components		Basic load ratings		Fatigue load limit	Limiting speed with shaft tolerance	Mass Bearing unit	Appropriate cover	
			dynamic	static				Designation End cover closed	Dimension
-	Housing	Bearing	C	C ₀	P ₀	h6			
			lbf/kN		kN	r/min	kg	-	mm
SYFWR3/4YZTHR	SYFWR504YZ	YAR204-012-2RFGR/HV	2442.15	1477.35	60.3	5100	0.99	ECW204	0.99
			6.55	0.28			0.45		25.2
SYFWR1.YZTHR	SYFWR505YZ	YAR205-100-2RFGR/HV	2693.4	1768.8	80.4	4400	1.32	ECW205	1
			7.8	0.335			0.6		25.3
SYFWR1.3/16YZTHR	SYFWR506YZ	YAR206-103-2RFGR/HV	3688.35	2532.6	110.55	3900	2.32	ECW206	1.16
			11.2	0.475			1.05		29.4
SYFWR1.1/4AYZTHR	SYFWR506YZ	YAR206-104-2RFGR/HV	3688.35	2532.6	110.55	3900	2.32	ECW206	1.16
			11.2	0.475			1.05		29.4
SYFWR1.1/4YZTHR	SYFWR507YZ	YAR207-104-2RFGR/HV	4884.3	3457.2	150.75	3300	2.8	ECW207	1.22
			15.3	0.655			1.27		31
SYFWR1.3/8YZTHR	SYFWR507YZ	YAR207-106-2RFGR/HV	4884.3	3457.2	150.75	3300	2.8	ECW207	1.22
			15.3	0.655			1.27		31
SYFWR1.7/16YZTHR	SYFWR507YZ	YAR207-107-2RFGR/HV	4884.3	3457.2	150.75	3300	2.8	ECW207	1.22
			15.3	0.655			1.27		31
SYFWR1.1/2YZTHR	SYFWR508YZ	YAR208-108-2RFGR/HV	5879.25	4301.4	180.9	2900	3.66	ECW208	1.22
			19	0.8				1.66	31

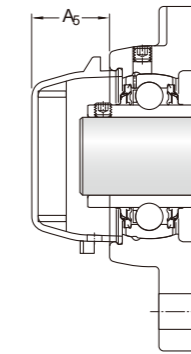
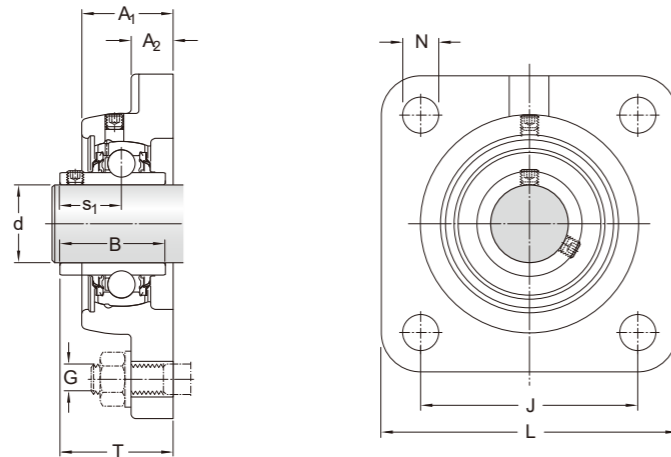
2.9 Stainless steel KMR Food Line Y-bearing square flanged units stainless steel bearings, metric shafts d 20 – 40 mm



Designation	Separate components		Dimensions									
			d	A ₁	A ₂	B	J	L	N	G	S ₁	T
-	Housing	Bearing	mm									
FYWR20YTHR	FYWR504Y	YAR204-2RFGR/HV	20	25.8	11.1	31	63.5	85.7	11.1	10	18.3	32.6
FYWR25YTHR	FYWR505Y	YAR205-2RFGR/HV	25	29.4	13.5	34.1	69.9	95.3	11.5	10	19.8	36.5
FYWR30YTHR	FYWR506Y	YAR206-2RFGR/HV	30	34.1	13.5	38.1	82.6	108	12.7	10	22.2	42
FYWR35YTHR	FYWR507Y	YAR207-2RFGR/HV	35	35.7	14.3	42.9	92.1	117.5	14.3	12	25.4	46
FYWR40YTHR	FYWR508Y	YAR208-2RFGR/HV	40	38.9	14.3	49.2	101.6	130.2	14.3	12	30.2	53.2

Designation	Separate components		Basic load ratings		Fatigue load limit	Limiting speed with shaft tolerance	Mass Bearing unit	Appropriate cover	
			dynamic	static				Designation End cover closed	Dimension
-	Housing	Bearing	C	C ₀	P _u	h6			A5
			kN		kN	r/min	kg	-	mm
FYWR20YTHR	FYWR504Y	YAR204-2RFGR/HV	10.85	6.58	0.28	5100	0.66	ECW204	25.3
FYWR25YTHR	FYWR505Y	YAR205-2RFGR/HV	11.96	7.84	0.34	4400	0.99	ECW205	24.9
FYWR30YTHR	FYWR506Y	YAR206-2RFGR/HV	16.38	11.26	0.48	3900	1.34	ECW206	29.3
FYWR35YTHR	FYWR507Y	YAR207-2RFGR/HV	21.71	15.38	0.66	3300	1.74	ECW207	30.5
FYWR40YTHR	FYWR508Y	YAR208-2RFGR/HV	26.13	19.10	0.80	2900	2.22	ECW208	31.5

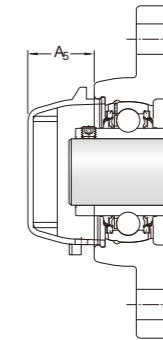
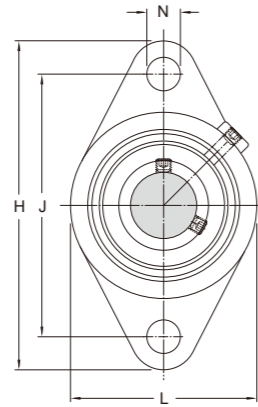
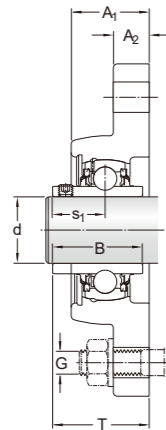
2.9 Stainless steel KMR Food Line Y-bearing square flanged units stainless steel bearings, inch shafts d 3/4 – 1 1/2 in .19,05 – 38,1 mm



Designation	Separate components		Dimensions									
			d	A ₁	A ₂	B	J	L	N	G	S ₁	T
Bearing unit	Housing	Bearing	in./mm									
FYWR3/4YTHR	FYWR504Y	YAR204-012-2RFGR/HV	3/4	1.02	0.44	1.22	2.5	3.38	0.44	3/8	0.72	1.28
			19.05	25.8	11.1	31	63.5	85.7	11.1	10	18.3	32.6
FYWR1.YTHR	FYWR505Y	YAR205-100-2RFGR/HV	1	1.16	0.53	1.34	2.75	3.75	0.45	7/16	0.78	1.44
			25.4	29.4	13.5	34.1	69.9	95.3	11.5	10	19.8	36.5
FYWR1.3/16YTHR	FYWR506Y	YAR206-103-2RFGR/HV	1 3/16	1.34	0.53	1.5	3.25	4.25	0.5	7/16	0.87	1.65
			30,163	34.1	13.5	38.1	82.6	108	12.7	10	22.2	42
FYWR1.1/4AYTHR	FYWR506Y	YAR206-104-2RFGR/HV	1 1/4	1.34	0.53	1.5	3.25	4.25	0.5	7/16	0.87	1.65
			31.75	34.1	13.5	38.1	82.6	108	12.7	10	22.2	42
FYWR1.1/4YTHR	FYWR507Y	YAR207-104-2RFGR/HV	1 1/4	1.41	0.56	1.69	3.63	4.63	0.56	1/2	1	1.81
			31.75	35.7	14.3	42.9	92.1	117.5	14.3	12	25.4	46
FYWR1.3/8YTHR	FYWR507Y	YAR207-106-2RFGR/HV	1 3/8	1.41	0.56	1.69	3.63	4.63	0.56	1/2	1	1.81
			34,925	35.7	14.3	42.9	92.1	117.5	14.3	12	25.4	46
FYWR1.7/16YTHR	FYWR507Y	YAR207-107-2RFGR/HV	1 7/16	1.41	0.56	1.69	3.63	4.63	0.56	1/2	1	1.81
			36,513	35.7	14.3	42.9	92.1	117.5	14.3	12	25.4	46
FYWR1.1/2YTHR	FYWR508Y	YAR208-108-2RFGR/HV	1 1/2	1.53	0.56	1.94	4	5.13	0.56	1/2	1.19	2.09
			38.1	38.9	14.3	49.2	101.6	130.2	14.3	12	30.2	53.2

Designation	Separate components		Basic load ratings		Fatigue load limit	Limiting speed with shaft tolerance	Mass Bearing unit	Appropriate cover	
			dynamic	static				Designation End cover closed	Dimension
Bearing unit	Housing	Bearing	C	C ₀	P _u	h6	kg	-	A5
-	-	-	lbf/kN		lbf/kN	r/min	-	-	mm
FYWR3/4YTHR	FYWR504Y	YAR204-012-2RFGR/HV	2442.15	1477.35	60.3	5100	1.46	ECW204	1
			10.8	6.55	0.28		0.66		25.3
FYWR1.YTHR	FYWR505Y	YAR205-100-2RFGR/HV	2693.4	1768.8	80.4	4400	2.18	ECW205	0.98
			11.9	7.8	0.335		0.99		24.9
FYWR1.3/16YTHR	FYWR506Y	YAR206-103-2RFGR/HV	3688.35	2532.6	110.55	3900	2.95	ECW206	1.15
			16.3	11.2	0.475		1.34		29.3
FYWR1.1/4AYTHR	FYWR506Y	YAR206-104-2RFGR/HV	3688.35	2532.6	110.55	3900	2.95	ECW206	1.15
			16.3	11.2	0.475		1.34		29.3
FYWR1.1/4YTHR	FYWR507Y	YAR207-104-2RFGR/HV	4884.3	3457.2	150.75	3300	3.84	ECW207	1.2
			21.6	15.3	0.655		1.74		30.5
FYWR1.3/8YTHR	FYWR507Y	YAR207-106-2RFGR/HV	4884.3	3457.2	150.75	3300	3.84	ECW207	1.2
			21.6	15.3	0.655		1.74		30.5
FYWR1.7/16YTHR	FYWR507Y	YAR207-107-2RFGR/HV	4884.3	3457.2	150.75	3300	3.84	ECW207	1.2
			21.6	15.3	0.655		1.74		30.5
FYWR1.1/2YTHR	FYWR508Y	YAR208-108-2RFGR/HV	5874.225	4301.4	180.9	2900	4.9	ECW208	1.24
			26	19	0.8			2.22	31.5

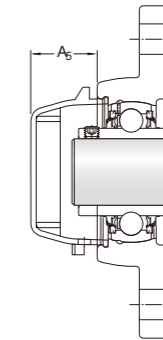
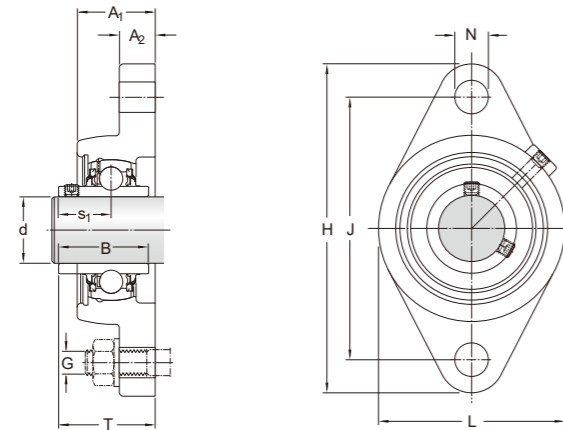
2.10 Stainless steel KMR Food Line Y-bearing oval flanged units stainless steel bearings, metric shafts d 20 – 40 mm



Designation	Separate components		Dimensions										
			d	A ₁	A ₂	B	H	J	L	N	G	S ₁	T
Bearing unit	Housing	Bearing	mm										
-	-	-	20	25.8	11.1	31	111.9	89.7	60.3	11.1	10	18.3	32.6
FYTWR20YTHR	FYTWR504Y	YAR204-2RFGR/HV	20	25.8	11.1	31	111.9	89.7	60.3	11.1	10	18.3	32.6
FYTWR25YTHR	FYTWR505Y	YAR205-2RFGR/HV	25	29.4	13.5	34.1	123.8	98.8	69.9	12.7	10	19.8	36.5
FYTWR30YTHR	FYTWR506Y	YAR206-2RFGR/HV	30	34.1	13.5	38.1	141.3	116.7	79.4	12.7	10	22.2	42
FYTWR35YTHR	FYTWR507Y	YAR207-2RFGR/HV	35	35.7	14.3	42.9	155.6	130.2	92.1	14.3	12	25.4	46
FYTWR40YTHR	FYTWR508Y	YAR208-2RFGR/HV	40	38.9	14.3	49.2	171.5	143.7	101.6	14.3	12	30.2	53.2

Designation	Separate components		Basic load ratings		Fatigue load limit	Limiting speed with shaft tolerance	Mass Bearing unit	Appropriate cover	
			dynamic	static				Designation End cover closed	Dimension
-	Housing	Bearing	C	C ₀	P _u	h6	-	A5	
			kN		kN	r/min	kg	mm	
FYTWR20YTHR	FYTWR504Y	YAR204-2RFGR/HV	10.85	6.58	0.28	5100	0.45	ECW204 25.3	
FYTWR25YTHR	FYTWR505Y	YAR205-2RFGR/HV	11.96	7.84	0.34	4400	0.68	ECW205 24.9	
FYTWR30YTHR	FYTWR506Y	YAR206-2RFGR/HV	16.38	11.26	0.48	3900	0.95	ECW206 30	
FYTWR35YTHR	FYTWR507Y	YAR207-2RFGR/HV	21.71	15.38	0.66	3300	1.29	ECW207 30.5	
FYTWR40YTHR	FYTWR508Y	YAR208-2RFGR/HV	26.13	19.10	0.80	2900	1.69	ECW208 31.5	

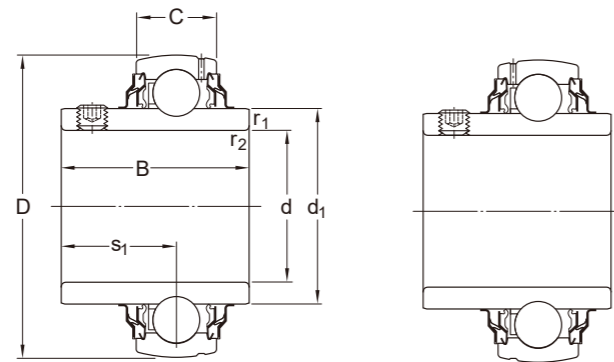
2.10 Stainless steel KMR Food Line Y-bearing oval flanged units stainless steel bearings, inch shafts d 3/4 – 1 1/2 in .19,05 – 38,1 mm



Designation	Separate components		Dimensions										
			d	A ₁	A ₂	B	H	J	L	V	G	S ₁	T
	Housing	Bearing	in./mm										
FYWR3/4YTHR	FYWR504Y	YAR204-012-2RFGR/HV	3/4	1.02	0.44	1.22	4.41	3.53	2.37	0.44	3/8	0.72	1.28
			19.05	25.8	11.1	31	111.9	89.7	60.3	11.1	10	18.3	32.6
FYWR1.YTHR	FYWR505Y	YAR205-100-2RFGR/HV	1	1.16	0.53	1.34	4.87	3.89	2.75	0.5	7/16	0.779	1.44
			25.4	29.4	13.5	34.1	123.8	98.8	69.9	12.7	10	19.8	36.5
FYWR1.3/16YTHR	FYWR506Y	YAR206-103-2RFGR/HV	13/16	1.34	0.53	1.5	5.56	4.59	3.13	0.5	7/16	0.874	1.65
			30,163	34.1	13.5	38.1	141.3	116.7	79.4	12.7	10	22.2	42
FYWR1.1/4AYTHR	FYWR506Y	YAR206-104-2RFGR/HV	11/4	1.34	0.53	1.5	5.56	4.59	3.13	0.5	7/16	0.874	1.65
			31.75	34.1	13.5	38.1	141.3	116.7	79.4	12.7	10	22.2	42
FYWR1.1/4YTHR	FYWR507Y	YAR207-104-2RFGR/HV	11/4	1.41	0.56	1.69	6.13	5.13	3.63	0.56	1/2	1	1.81
			31.75	35.7	14.3	42.9	155.6	130.2	92.1	14.3	12	25.4	46
FYWR1.3/8YTHR	FYWR507Y	YAR207-106-2RFGR/HV	13/8	1.41	0.56	1.69	6.13	5.13	3.63	0.56	1/2	1	1.81
			34,925	35.7	14.3	42.9	155.6	130.2	92.1	14.3	12	25.4	46
FYWR1.7/16YTHR	FYWR507Y	YAR207-107-2RFGR/HV	17/16	1.41	0.56	1.69	6.13	5.13	3.63	0.56	1/2	1	1.81
			36,513	35.7	14.3	42.9	155.6	130.2	92.1	14.3	12	25.4	46
FYWR1.1/2YTHR	FYWR508Y	YAR208-108-2RFGR/HV	11/2	1.53	0.56	1.93	6.75	5.66	4	0.56	1/2	1.189	2.09
			38.1	38.9	14.3	49.2	171.5	143.7	101.6	14.3	12	30.2	53.2

Designation	Separate components		Basic load ratings		Fatigue load limit	Limiting speed with shaft tolerance	Mass Bearing unit	Appropriate cover	
			dynamic	static				Designation End cover closed	Dimension
	Housing	Bearing	C	C ₀	P _u	h6			A5
			lbf/kN		kN	r/min	kg	-	mm
FYWR3/4YTHR	FYWR504Y	YAR204-012-2RFGR/HV	2442.15	1477.35	60.3	5100	0.99	ECW204	1
			10.8	6.55	0.28		0.45		25.3
FYWR1.YTHR	FYWR505Y	YAR205-100-2RFGR/HV	2693.4	1768.8	80.4	4400	1.5	ECW205	0.98
			11.9	7.8	0.335		0.68		24.9
FYWR1.3/16YTHR	FYWR506Y	YAR206-103-2RFGR/HV	3688.35	2532.6	110.55	3900	2.09	ECW206	1.18
			16.3	11.2	0.475		0.95		30
FYWR1.1/4AYTHR	FYWR506Y	YAR206-104-2RFGR/HV	3688.35	2532.6	110.55	3900	2.09	ECW206	1.18
			16.3	11.2	0.475		0.95		30
FYWR1.1/4YTHR	FYWR507Y	YAR207-104-2RFGR/HV	4884.3	3457.2	150.75	3300	2.84	ECW207	1.2
			21.6	15.3	0.655		1.29		30.5
FYWR1.3/8YTHR	FYWR507Y	YAR207-106-2RFGR/HV	4874.25	3457.2	150.75	3300	2.84	ECW207	1.2
			21.6	15.3	0.655		1.29		30.5
FYWR1.7/16YTHR	FYWR507Y	YAR207-107-2RFGR/HV	4874.25	3457.2	150.75	3300	2.84	ECW207	1.2
			21.6	15.3	0.655		1.29		30.5
FYWR1.1/2YTHR	FYWR508Y	YAR208-108-2RFGR/HV	5874.225	4291.35	180.9	2900	3.73	ECW208	1.24
			26	19	0.8		1.69		31.5

2.11 KMR Food Line Y-bearings with grub screws, stainless steel, metric shafts d 20 – 50 mm

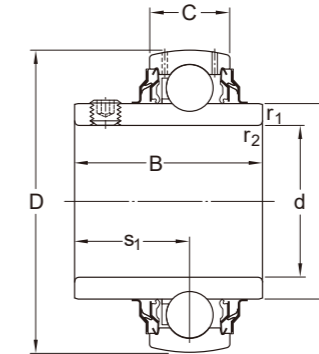


YAR2...-2RF/HV

YAR2...-2RFGR/HV

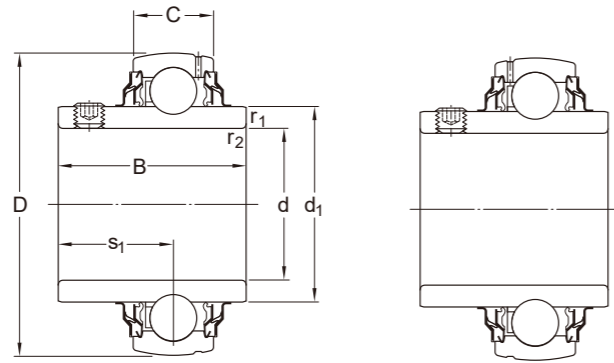
Designations	Dimensions								Basic load ratings		Fatigue load limit	Limiting speed with shaft tolerance	Mass
									dynamic	static			
	d	D	B	C	d ₁	s ₁	r _{1,2}	C	C ₀	P _u	h6	kg	
-	mm								kN		kN	r/min	kg
YAR204-2RF/HV	YAR204-2RFGR/HV	20	47	31	14	28.2	18.3	0.6	10.85	6.58	0.28	5100	0.14
YAR205-2RF/HV	YAR205-2RFGR/HV	25	52	34.1	15	33.7	19.8	0.6	11.96	7.84	0.34	4400	0.18
YAR206-2RF/HV	YAR206-2RFGR/HV	30	62	38.1	18	39.7	22.2	0.6	16.38	11.26	0.48	3900	0.29
YAR207-2RF/HV	YAR207-2RFGR/HV	35	72	42.9	19	46.1	25.4	1	21.71	15.38	0.66	3300	0.42
YAR208-2RF/HV	YAR208-2RFGR/HV	40	80	49.2	21	51.8	30.2	1	26.13	19.10	0.80	2900	0.56
YAR210-2RF/HV	YAR210-2RFGR/HV	50	90	51.6	22	62.5	32.6	1	29.75	23.32	0.98	2300	0.69

2.11 KMR Food Line Y-bearings with grub screws, zinc coated, metric shafts d 20 – 50 mm



Designations	Dimensions								Basic load ratings		Fatigue load limit	Limiting speed with shaft tolerance	Mass
									dynamic	static			
	d	D	B	C	d ₁	s ₁	r _{1,2}	C	C ₀	P _u	h6	kg	
-	mm								kN		kN	r/min	kg
YAR204-2RF/VE495	20	47	31	14	28.2	18.3	0.6	12.76	6.58	0.28	5100	0.14	
YAR205-2RF/VE495	25	52	34.1	15	33.7	19.8	0.6	14.07	7.84	0.34	4400	0.18	
YAR206-2RF/VE495	30	62	38.1	18	39.7	22.2	0.6	19.60	11.26	0.48	3900	0.29	
YAR207-2RF/VE495	35	72	42.9	19	46.1	25.4	1	25.63	15.38	0.66	3300	0.42	
YAR208-2RF/VE495	40	80	49.2	21	51.8	30.2	1	30.85	19.10	0.80	2900	0.56	
YAR210-2RF/VE495	50	90	51.6	22	62.5	32.6	1	35.28	23.32	0.98	2300	0.69	

2.11 KMR Food Line Y-bearings with grub screws, stainless steel, inch shafts d 3/4 – 1 15/16 in .19,05 – 49,213 mm

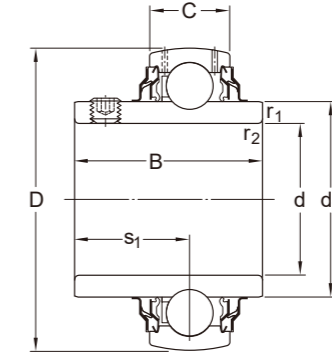


YAR2...-2RF/HV

YAR2...-2RFGR/HV

Designations	Dimensions								Basic load ratings		Fatigue load limit	Limiting speed with shaft tolerance	Mass
									dynamic	static			
	d	D	B	C	d ₁	s ₁	r _{1,2}	C	C ₀	P _u	h6	kg	
	mm								kN		kN	r/min	kg
YAR204-012-2RF/HV	YAR204-012-2RFGR/HV	3/4	1.85	1.22	0.55	1.11	0.72	0.02	2442.15	1477.35	60.3	5100	0.35
		19.05	47	31	14	28.2	18.3	0.6	10.8	6.55	0.28		0.16
YAR205-100-2RF/HV	YAR205-100-2RFGR/HV	1	2.05	1.34	0.59	1.33	0.78	0.02	2693.4	1768.8	80.4	4400	0.42
		25.4	52	34.1	15	33.7	19.8	0.6	11.9	7.8	0.335		0.19
YAR206-103-2RF/HV	YAR206-103-2RFGR/HV	1 3/16	2.44	1.5	0.71	1.56	0.87	0.02	3688.35	2532.6	110.55	3900	0.64
		30,163	62	38.1	18	39.7	22.2	0.6	16.3	11.2	0.475		0.29
YAR206-104-2RF/HV	YAR206-104-2RFGR/HV	1 1/4	2.44	1.5	0.71	1.56	0.87	0.02	3688.35	2532.6	110.55	3900	0.62
		31.75	62	38.1	18	39.7	22.2	0.6	16.3	11.2	0.475		0.28
YAR207-104-2RF/HV	YAR 207-104-2RF/VE495	1 1/4	2.8346	1.69	0.75	1.81	1	0.04	4884.3	3457.2	150.75	3300	1.15
		31.75	72	42.9	19	46.1	25.4	1	21.6	15.3	0.655		0.52
YAR207-106-2RF/HV	YAR207-106-2RFGR/HV	1 3/8	2.83	1.69	0.75	1.81	1	0.04	4884.3	3457.2	150.75	3300	0.93
		34,925	72	42.9	19	46.1	25.4	1	21.6	15.3	0.655		0.42
YAR207-107-2RF/HV	YAR207-107-2RFGR/HV	1 7/16	2.83	1.69	0.75	1.81	1	0.04	4884.3	3457.2	150.75	3300	0.95
		36,513	72	42.9	19	46.1	25.4	1	21.6	15.3	0.655		0.43
YAR208-108-2RF/HV	YAR208-108-2RFGR/HV	1 1/2	3.15	1.94	0.83	2.04	1.19	0.04	5879.25	4301.4	180.9	2900	1.23
		38.1	80	49.2	21	51.8	30.2	1	26	19	0.8		0.56
YAR210-115-2RF/HV	YAR210-115-2RFGR/HV	1 15/16	3.54	2.03	0.87	2.46	1.28	0.04	6693.3	5246.1	221.1	2300	1.72
		49,213	90	51.6	22	62.5	32.6	1	29.6	23.2	0.98		0.78

2.11 KMR Food Line Y-bearings with grub screws, zinc coated, inch shafts d 3/4 – 1 15/16 in .19,05 – 49,213 mm



Designations	Dimensions								Basic load ratings		Fatigue load limit	Limiting speed with shaft tolerance	Mass
									dynamic	static			
	d	D	B	C	d ₁	s ₁	r _{1,2}	C	C ₀	P _u	h6	kg	
	mm								kN		kN	r/min	kg
YAR204-012-2RF/VE495	3/4	1.8504	1.22	0.55	1.11	0.72	0.02	2874.3	1477.35	60.3	5100	0.35	
	19.05	47	31	14	28.2	18.3	0.6	12.7	6.55	0.28		0.16	
YAR205-015-2RF/VE495	15/16	2.0472	1.34	0.59	1.33	0.78	0.02	3165.75	1768.8	80.4	4400	0.42	
	23,813	52	34.1	15	33.7	19.8	0.6	14	7.8	0.335		0.19	
YAR205-100-2RF/VE495	1	2.0472	1.34	0.59	1.33	0.78	0.02	3165.75	1768.8	80.4	4400	0.42	
	25.4	52	34.1	15	33.7	19.8	0.6	14	7.8	0.335		0.19	
YAR206-103-2RF/VE495	1 3/16	2.4409	1.5	0.71	1.56	0.87	0.02	4411.95	2532.6	110.55	3900	0.68	
	30,163	62	38.1	18	39.7	22.2	0.6	19.5	11.2	0.475		0.31	
YAR206-104-2RF/VE495	1 1/4	2.4409	1.5	0.71	1.56	0.87	0.02	4411.95	2532.6	110.55	3900	0.62	
	31.75	62	38.1	18	39.7	22.2	0.6	19.5	11.2	0.475		0.28	
YAR207-104-2RF/VE495	1 1/4	2.8346	1.69	0.75	1.82	1	0.04	5768.7	3457.2	150.75	3300	1.01	
	31.75	72	42.9	19	46.1	25.4	1	25.5	15.3	0.655		0.46	
YAR207-106-2RF/VE495	1 3/8	2.8346	1.69	0.75	1.82	1	0.04	5768.7	3457.2	150.75	3300	1.01	
	34,925	72	42.9	19	46.1	25.4	1	25.5	15.3	0.655		0.46	
YAR207-107-2RF/VE495	1 7/16	2.8346	1.69	0.75	1.82	1	0.04	5768.7	3457.2	150.75	3300	0.93	
	36,513	72	42.9	19	46.1	25.4	1	25.5	15.3	0.655		0.42	
YAR208-108-2RF/VE495	1 1/2	3.1496	1.94	0.83	2.04	1.19	0.04	6944.55	4301.4	180.9	2900	1.3	
	38.1	80	49.2	21	51.8	30.2	1	30.7	19	0.8		0.59	
YAR210-115-2RF/VE495	1 15/16	3.5433	2.03	0.87	2.46	1.28	0.04	7939.5	5246.1	221.1	2300	1.72	
	49,213	90	51.6	22	62.5	32.6	1	35.1	23.2	0.98		0.78	