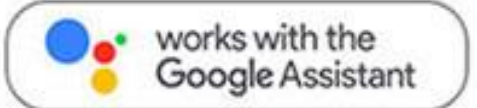




## About us

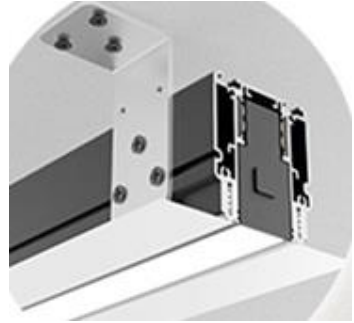
JH lighting is a professional factory which supply led magnetic track lighting system ,led neon flex,led linear lighting The products are widely used in commercial lighting, squares, high-rise buildings, living quarters, shopping centers, highways, subway stations and other outdoor engineering facilities. The lighting has won the praise of customers with its bright, novel colors, diverse styles and thoughtful services. Praise and trust! Adhering to the "high quality and low price, service first" based on the domestic market, actively explore the international market, and pursue innovation and improve quality as the service tenet, introduce advanced production technology, have a strict management team, and pay attention to after-sales service.

As a professional LED lighting manufacturer,We will be your first choice with the best quality, cheapest price and best after-sales service! Constant pursuit of innovative corporate culture, advanced technology and production technology, scientific testing methods, standardized enterprise system management, honest, efficient and professional after-sales service. It is our responsibility to continuously develop new models and new varieties with a high degree of automation and reduce the production cost of high-end products. We will burn all our passion and work with you to create a new type of enterprise with more brand value as the direction. Make Shenzhen Mingchenxing Photoelectric Co., Ltd. quickly become a model of cooperation in the LED curtain wall industry. Today, with rampant brands and increasingly fierce market competition, with the continuous upgrading of LED products, the company continues to introduce various technologically innovative products to meet the needs of different customers. Looking forward to the future, the company will strive to become an outstanding entrepreneur in China's LED industry with better products and better services and continue to work hard. With sincerity and enthusiasm, we sincerely welcome friends from home and abroad to visit us, make orders, and develop our common cause hand in hand. Welcome to visit: [www.dgjhlightng.com](http://www.dgjhlightng.com)

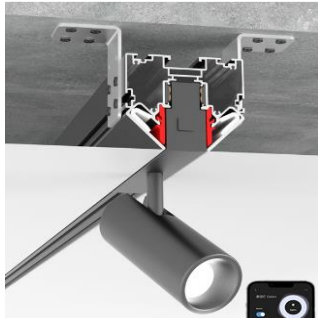


# <<CONTENT>>

**A** DC 48V magnetic track lighting with damper



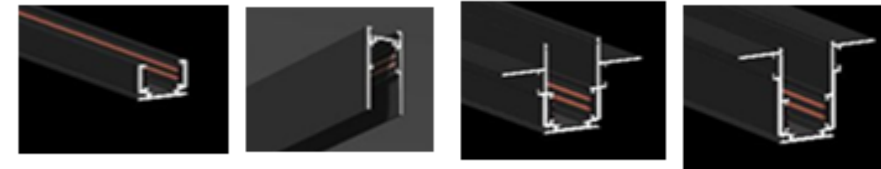
**B** DC 48V magnetic track lighting with harpoon



**C** LED linear lighting profile for stretch ceiling



**D** M20 DC48V lighting track



**E** M20 lighting fixture



**F** M35 ultra thin series





Item: JH-CXS-S001-02

DC 48V Led magnetic track system with damper for stretch ceiling

The profile is applicable for both fabric and Pvc sheets

TRIAC, 0/10V/DALI/PMC / TUYA SMART all can be matched

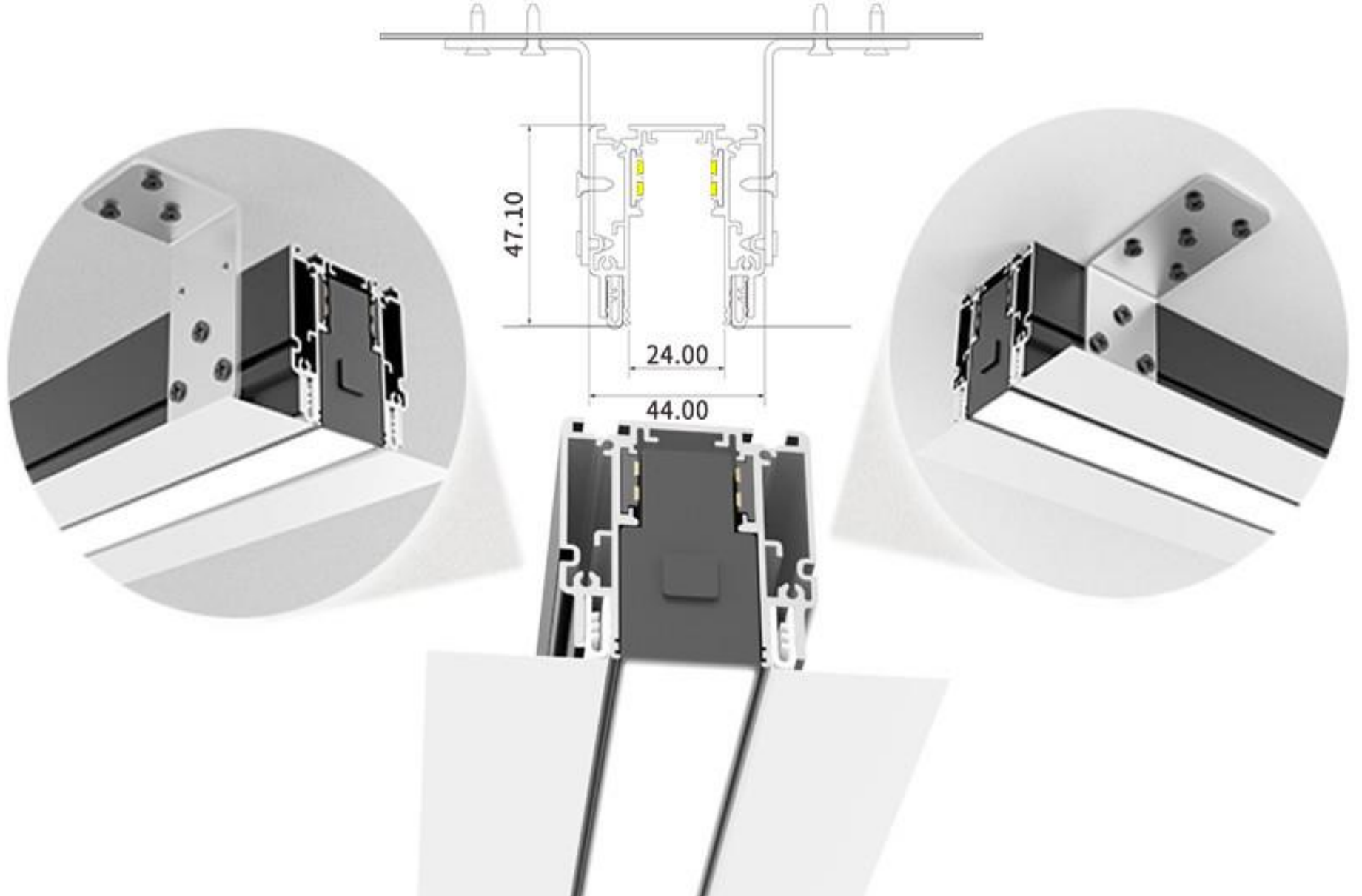
The real product picture for your reference



LED MAGNETIC TRACK SYSTEM WITH DAMPER FOR STRETCH CEILING

- The profile is applicable for both fabric and PVC sheets.
- The system allows you to smoothly turn on and off the light and does not require the installation of a power supply. The power and temperature of the light can be controlled via Dali (compatible with LUCHON agreement), TUYA ZIGBEE, TRIAC, 0/10V
- Fixtures in this track system are mounted on latches, their location is easily adjustable. Such a system is great for zoning a room and placing light accents for zones of various functionalities.

Contacts for placing an order or receiving a consultation: [\\_powerjhtechonology@gmail.com](mailto:_powerjhtechonology@gmail.com) +86 18925402982





Item: JH-CXS-S005-02

DC 48V Led magnetic track system with harpoon for stretch ceiling

The profile is applicable for both fabric and Pvc sheets

TRIAC, 0/10V/DALI/PMC / TUYA SMART all can be matched

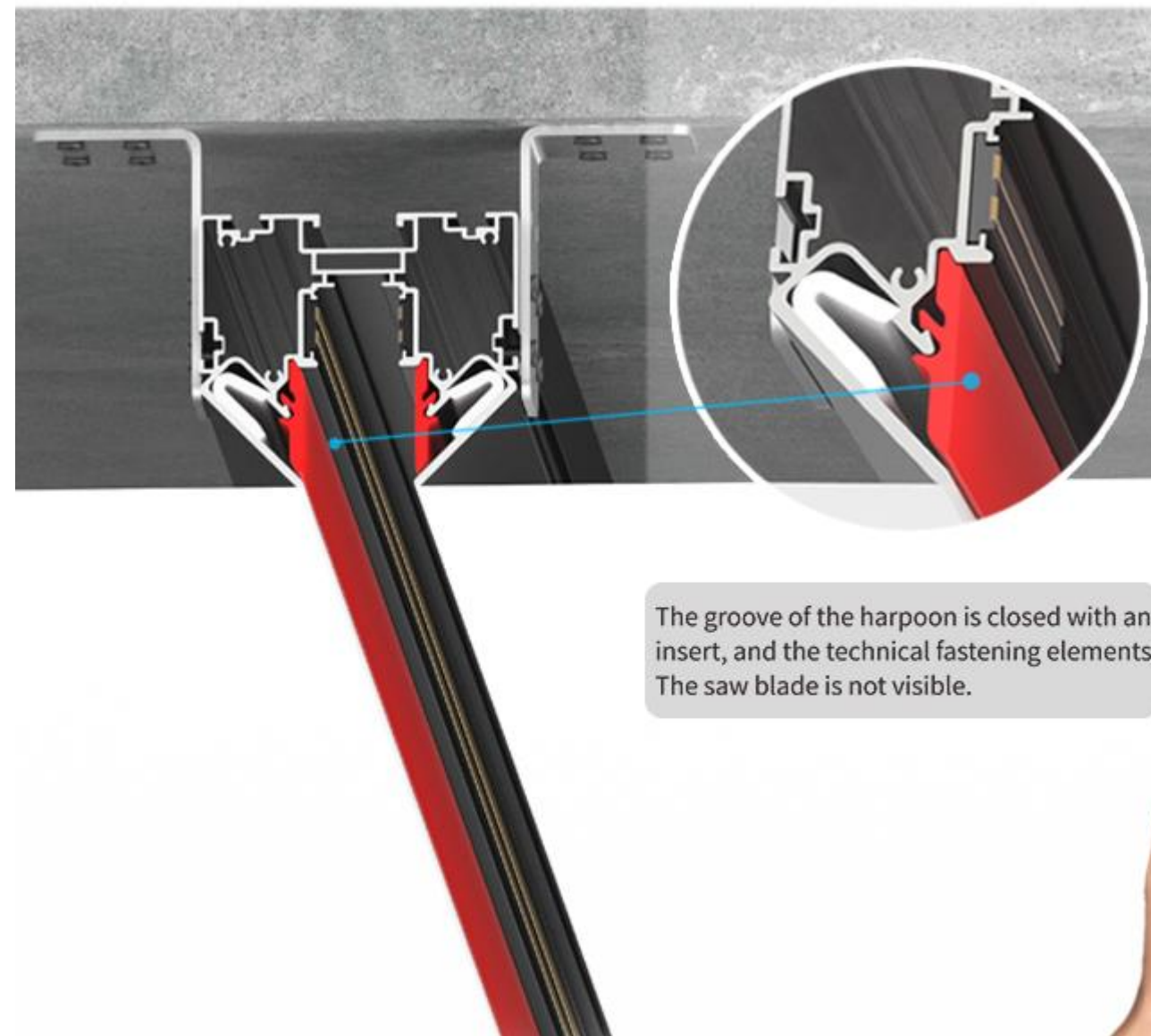
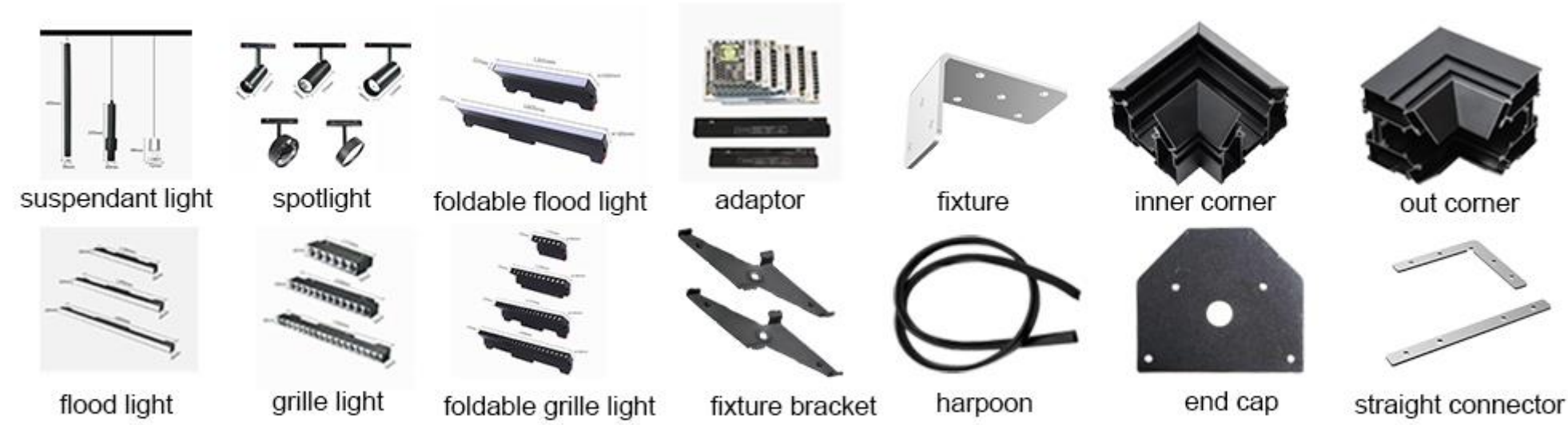
The real product picture for your reference



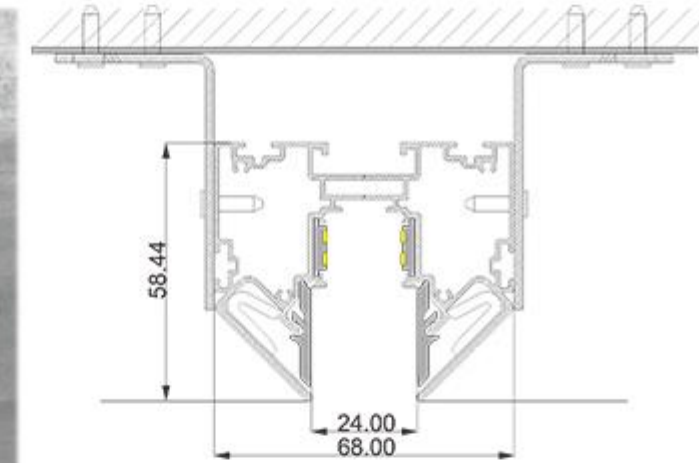
### LED MAGNETIC TRACK SYSTEM WITH DAMPER FOR STRETCH CEILING

1. Monolithic construction with integrated busbar makes it easy to add and move fixtures around the track.
2. Profile made of high-quality aluminum; Full integration into the construction of a stretch ceiling without gaps and seams.
3. Can serve as both the main illumination and non main illumination.
4. Modern aesthetic appearance.

Contacts for placing an order or receiving a consultation: [REDACTED]



The groove of the harpoon is closed with an insert, and the technical fastening elements. The saw blade is not visible.

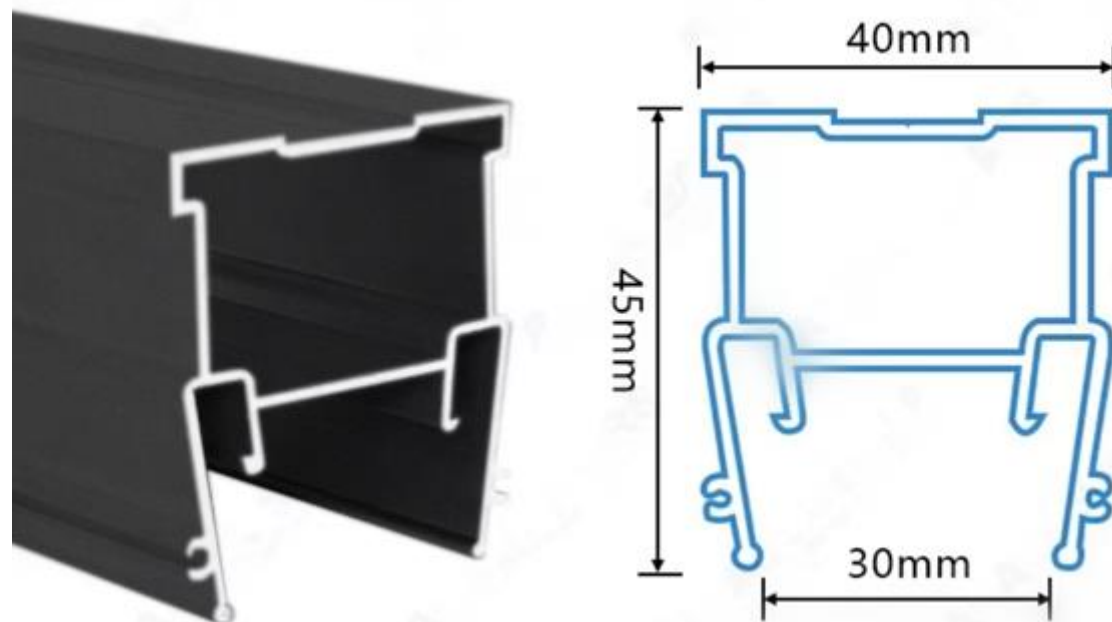


- WORKS WITH amazon alexa
- works with the Google Assistant
- zigbee
- Bluetooth
- WiFi
- tuya

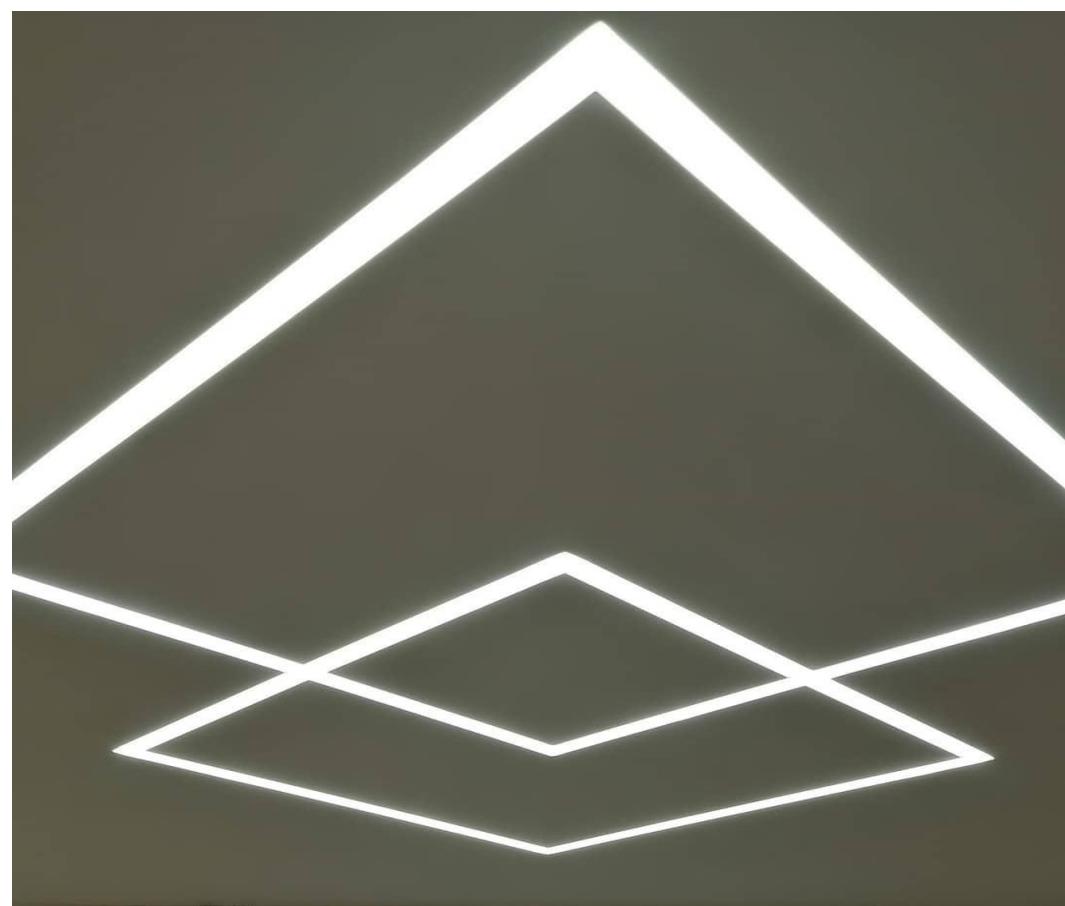
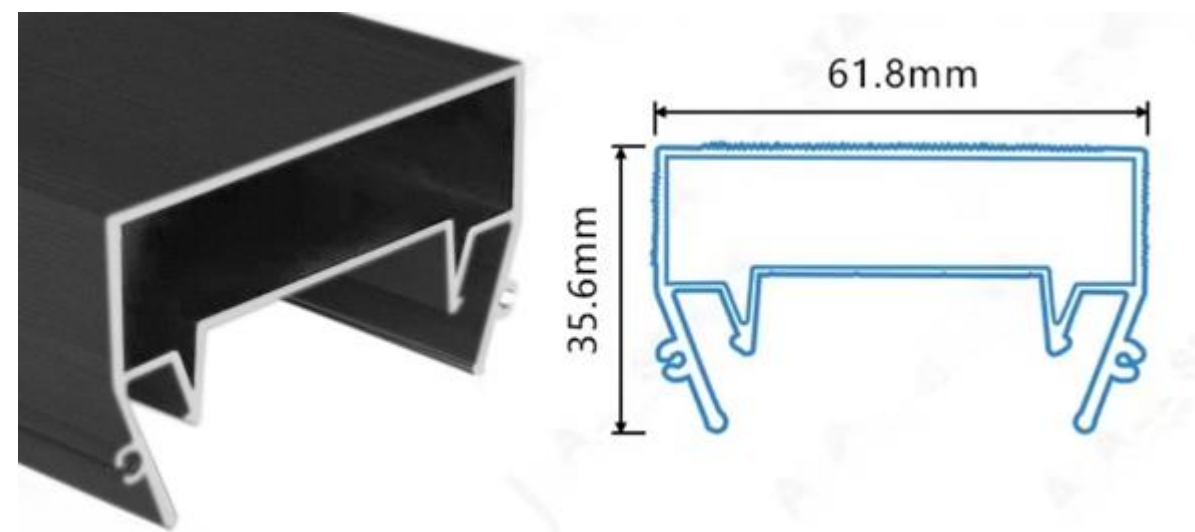


# LED linear profile for stretch ceiling







JH-FL001-A



JH-FL002-B



These are the proposed led strips for your choice . Pls contact me for the led strip catalog!!!

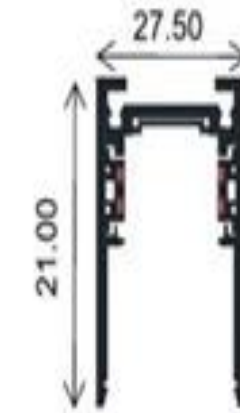
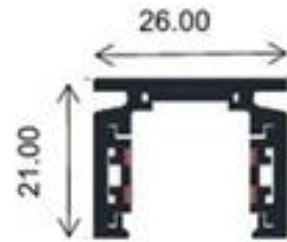
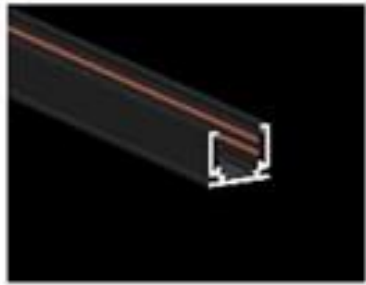
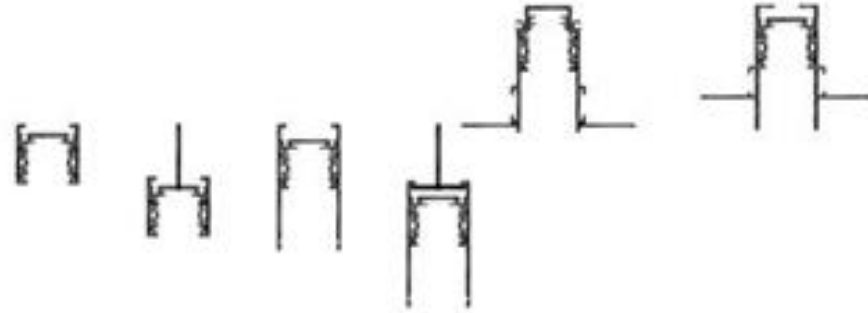
Model	Drawing	LEDS/m	W/m
3528-60-24V-8mm		60	4.8
3528-120-24V-8mm		120	9.6
2835-120-24V-8mm		120	14.4
2835-140-CCT-24V-10mm		140	14.4
2835-160-24V-8mm		160	12
5050-60-RGB-24V-10mm		60	14.4





Magnetic track

Surface Mounted



JH-MZ26B



JH-MZ26B H90



JH-MZ26B AV90



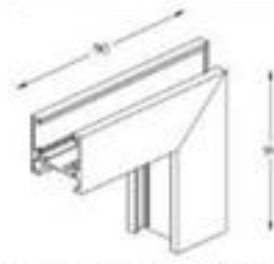
JH-MZ26B VB90



JH-MZ26A H90



JH-MZ26A AV90

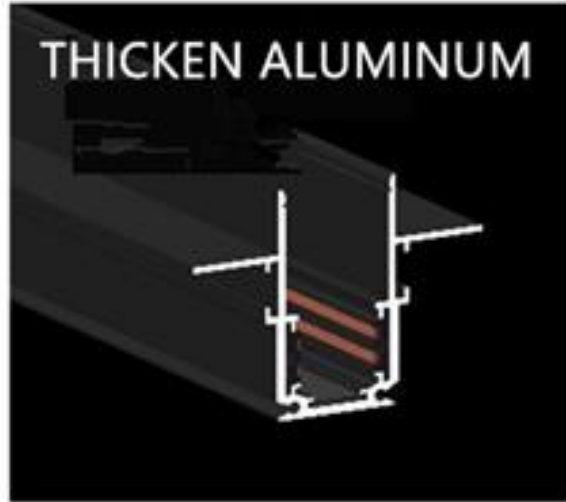


JH-MZ26A VB90

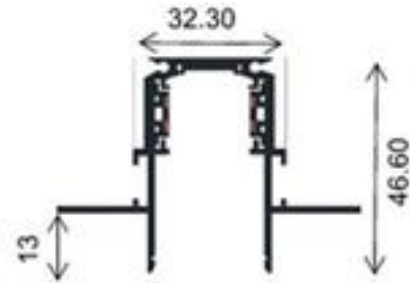
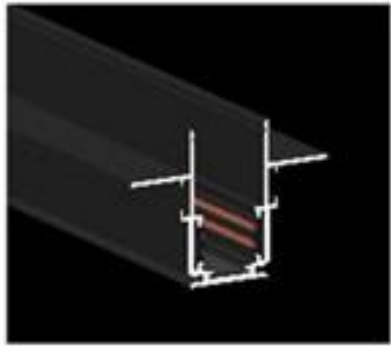




Flush Mounted



Magnetic Track



JH-20A



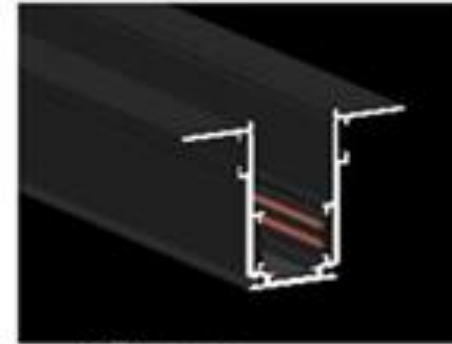
JH-26A H90



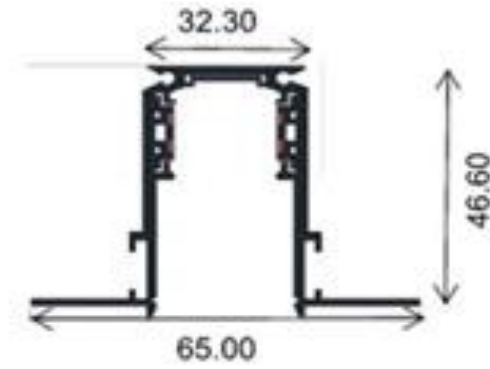
JH-26A AV90



JH-26A VB90



JH-26B



JH-26B H90



JH-26B AV90



JH-26B VB90





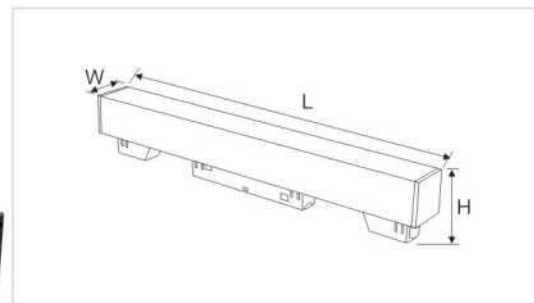
# M20 magnetic track flood lighting



Details pictures



Size



item	power	voltage	beam angle	size(mm)
JH-CX-F10	10W	48V	180°	L300*W22*H45
JH-CX-F12	12W	48V	180°	L400*W22*H45
JH-CX-F18	18W	48V	180°	L600*W22*H45



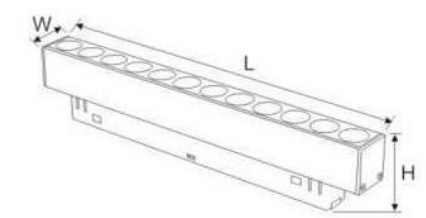
# M20 magnetic track grille lighting



Detail picture



Size



Item	power	voltage	beam angle	size(mm)
JH-CX-G6	6W	48V	24°	L113*W22*H45
JH-CX-G12	12W	48V	24°	L220*W22*H45
JH-CX-G18	18W	48V	24°	L328*W22*H45
JH-CX-G24	24W	48V	24°	L439*W22*H45



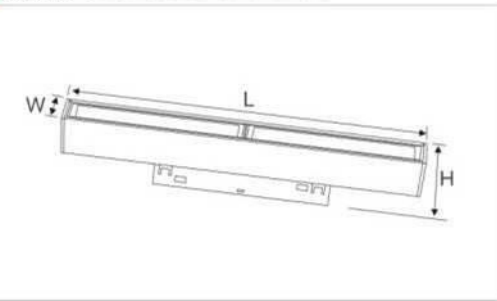
# M20 magnetic track lighting



Detail Picture

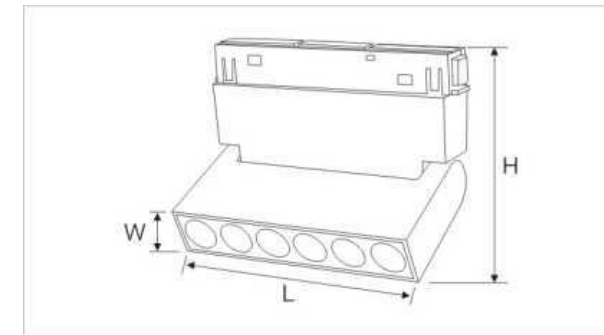


Size



Item	power	voltage	beam	size(mm)
JH-CX-POLARIZED	12w	48v	24°	L228*W22*H45
JH-CX-Focused	12w	48v	24°	L228*W22*H45

# M20 foldable grille lighting



item	power	voltage	beam angle	size(mm)
JH-CX-G6	6W	48V	24°	L113*W22*H104
JH-CX-G12	12W	48V	24°	L220*W22*H104
JH-CX-G18	18W	48V	24°	L331*W22*H100
JH-CX-G24	24W	48V	24°	L439*W22*H100





# M20/35 suspondant light



Item	power	voltage	beam angle	size(mm)
earth lamp	8W	48V	360°	Dia15*H15
moon lamp	8W	48V	360°	Dia15*H15

item	power	voltage	beam angle	size(mm)
L420 suspondant lamp	8W	48V	180°	30*L400
L300 suspondant lamp	8W	48V	24°	40*L370

# M20/35 spotlight



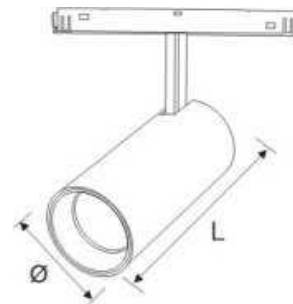
# M20/35 360° floodlight



Detail Pictures



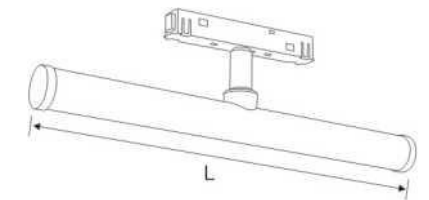
size



Detail Picture



Size



item	power	voltage	beam angle	size(mm)
JH-CX-S7	7W	48V	24°	L105*048
JH-CX-S12	12W	48V	24°	L105*048
JH-CX-S15	15W	48V	24°	L155*058
JH-CX-S20	20W	48V	24°	L155*068
JH-CX-S25	25W	48V	24°	L155*068

item	size	power	voltage	Beam angle
360° floodlight	L300mm	10w	48v	360°
360° floodlight	L600mm	15w	48v	360°



### Product information

Item NO : JH-SD3051

Input Voltage: DC48V

CCT : 2700-5000K

CRI : ≥90

Color : Black

#### Order options/ Intelligent Control

NON	DIM
0-10V	DIM
DALI	DIM



Item NO.	Wattage	Lumens	Size	Beam Angle
JH-SD3051	10W	800lm	Φ42*L163	/
JH-SD3052	15W	1200lm	Φ58*L191	/

### Product information

Item NO : JH-SD1004

Input Voltage: DC48V

CCT : 2700-5000K

CRI : ≥90

Color : Black

#### Order options/ Intelligent Control

NON	DIM
0-10V	DIM
DALI	DIM



Item NO.	Wattage	Lumens	Size	Beam Angle
JH-SD1004-05	5W	400lm	Φ35*80	10-55°
JH-SD1004-09	10W	800lm	Φ55*115	10-55°
JH-SD1004-15	15W	1200lm	Φ65*135	10-55°
JH-SD1004-25	25W	2000lm	Φ75*150	10-55°

# M35 ultra slim magnetic track lighting system



1M/2M/3M



live end



right angle connector



straight connector



right angle inner connector



power box



100W adaptor



200W adaptor

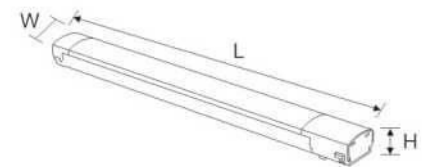
## M35 ultra slim flood light



Detail Pictures



Size



item	power	voltage	angle	size(mm)
JH-M35-F12	12W	48V	180°	L368*W35*H24
JH-M35-F24	24W	48V	180°	L668*W35*H24
JH-M35-F36	36W	48V	180°	L968*W35*H24





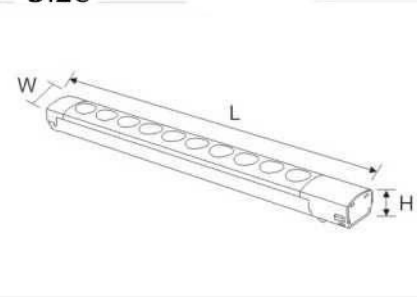
# M35 ultra slim grille light



Detail Picture



Size



item	power	voltage	angle	size(mm)
JH-CX-M35-G10	10W	48V	24°	L332*W35*H24
JH-CX-M35-G20	20W	48V	24°	L597*W35*H24
JH-CX-M35-G30	30W	48V	24°	L863*W35*H24



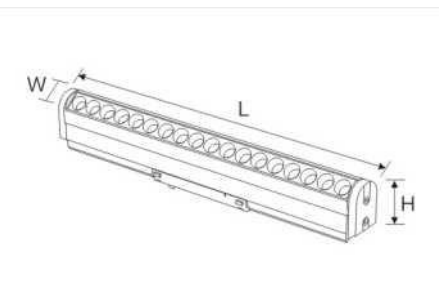
# M35 ultra slim foldable grille light



Details Picture



Size



item	power	voltage	Beam angle	Size(mm)
JH-CX-M35-FG6	6w	48v	24°	L129*W34*H59
JH-CX-M35-FG12	12w	48v	24°	L237*W34*H59
JH-CX-M35-FG18	18w	48v	24°	L452*W34*H59



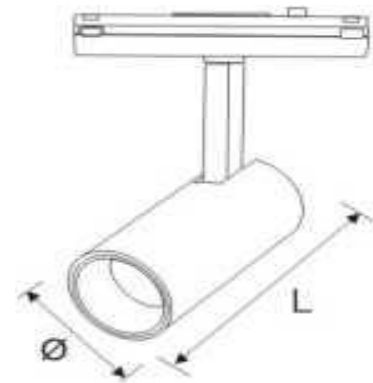
## M35 ultra slim spotlight



### Detailed pictures



### Size



item	power	voltage	angle	size(mm)
JH-m35-CX-S12	12W	48V	24°	048*L105
JH-m35-CX-S18	18W	48V	24°	058*L155
JH-m35-CX-S25	25W	48V	24°	068*L155

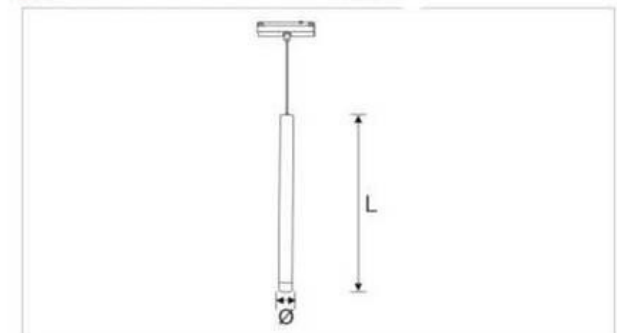
## M35 ultra slim suspendant spotlight



### Detail Pictures



### Size



item	power	voltage	angle	size(mm)
JH-M35-CX-SusL420	8W	48V	180°	30*L420
JH-M35-CX-SusL380	8W	48V	24°	40*L380
JH-M35-CX-earth	8W	48V	360°	150*L150
JH-M35-CX-moon	8W	48V	360°	150*L150



# Application





